

4

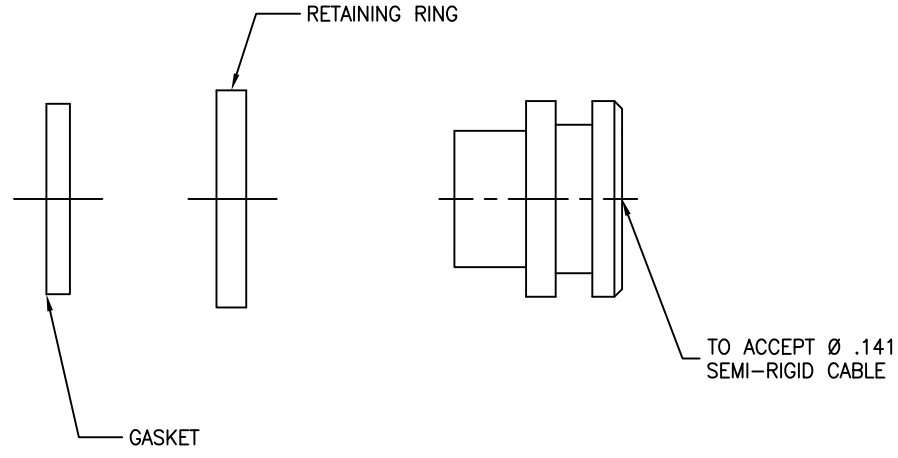
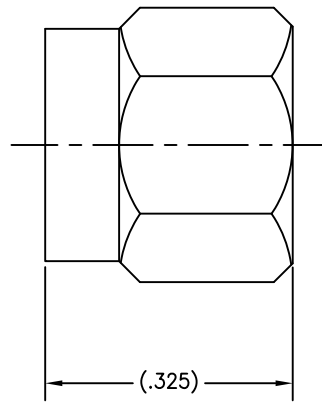
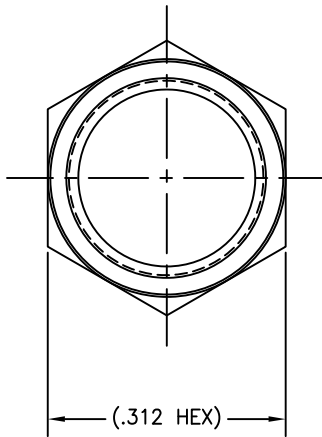
3

2

1

P/N
5319
5319SF
5319NP

REVISIONS			
REV	DESCRIPTION	DATE	BY
A	ECO 23278	06.22.10	DKN
B	ECO 202352 (ADD NEW NAME)	11.26.24	DKN



Note(s):
1. All items to be packaged and shipped unassembled.

MATERIAL(S):	ELECTRICAL(S):	MECHANICAL(S):	ENVIRONMENTAL(S):
Body And Coupling Nut: 303 sst per ASTM A-582. Retaining Ring: BeCu alloy per ASTM B-196 Gasket: Silicon Rubber per A-A-59588.	Impedance: 50 Ohms nominal. Frequency Range: DC to 18.0 GHz. VSWR: 1.035 + .005*f(GHz). Insertion Loss: .03 √f(GHz) dB. Working Voltage: 335 Vrms max @ sea level. R.F. HiPot Voltage: 670 Vrms min @ 5MHz. Corona Level: 250 Vrms @ 70,000 ft. Insulation Resistance: 10000 MegOhms min.	Mating Characteristics: Interface per Mil-Std-348. Force To Engage & Disengage: Torque: 2 inch-pounds max. Longitudinal Force: NA. Connector Durability: 500 cycles min @ 12 cycles/minute max. Permeability: Less than 2.0 mu. Cable Retention Force: 60 lbs min. Coupling Proof Torque: 15 inch-pounds min. Coupling Mech. Retention: 60 pounds min.	Temp. Range: -65°C to +165°C Thermal Shock: MIL-STD-202, Method 107, Test Cond. B Moisture Resistance: MIL-STD-202, Method 106. Insulation resistance at least 200 MegaOhms within 5 minutes after removal from humidity Corrosion: MIL-STD-202, Method 101, Test Cond. B Vibration: MIL-STD-202, Method 204, Test Cond. D Shock: MIL-STD-202, Method 213, Test Cond. I

FINISH(ES): Body & Coupling Nut: (For 5329SF): Passivated per ASTM A-967. (For 5319): Gold plate per ASTM B-488, Type II, Code C, Class .25; Over nickel under plate per SAE-AMS-QQ-N-290, Class 1. (For 5319NP): Bright Nickel plate per SAE-AMS-QQ-N-290.	APPLICABLE Amphenol CDI DOCUMENTS			TOLERANCES AND NOTES EXCEPT AS NOTED <small>INTERPRET DRAWING PER ASME Y14.5-2018</small> <small>DIMENSIONS ARE IN INCHES:</small> LINEAR .XX ±.015 .00X ±.005 FRACTION ± 1/32 ANGULAR ± 1/2° 1. MACHINE FINISH: #3/RMS 2. BREAK ALL SHARP EDGES .003 MAX. 3. MACHINED FILLETS .005 MAX. 4. MACHINED SURFACES SQUARE TO RESPECTIVE AXIS WITHIN .005 INCHES PER INCH. 5. MACHINED DIAMETERS CONCENTRIC WITHIN .002 T.I.R. 6. DIMENSIONS TO BE MET BEFORE PLATING. 7. CHAMFER ALL THREADS 45°. 8. THREADS PER H-28. 9. REMOVE FRAYED EDGES ON TEFLON. 10. REMOVE ALL BURRS.		APPROVAL INITIALS DRAWN BY: IMG CHECKED BY: TEST ENGG: QUALITY: DESIGN ENGG: ATV MFG ENGG: ECO APPRV: DNg		DATE 03.11.02 08.29.02 11.26.24		MATERIAL - - -		SPECIFICATION - - -		PROCUREMENT 12900 Alondra Blvd. Cerritos, CA 90703	
	NOTICE <small>THIS DRAWING EMBODIES A CONFIDENTIAL, PROPRIETARY DESIGN ORIGINATED BY Amphenol CDI AND ALL DESIGN, MANUFACTURING, RE-PRODUCTION, USE AND SALE RIGHTS REGARDING THE SAME ARE EXPRESSLY RESERVED. IT IS SUBMITTED UNDER A CONFIDENTIAL RELATIONSHIP FOR A SPECIFIED PURPOSE AND THE RECIPIENT AGREES BY ACCEPTING THIS DRAWING NOT TO SUPPLY OR DISCLOSE ANY INFORMATION REGARDING IT TO ANY UN-AUTHORIZED PERSON TO INCORPORATE MOTHER PROJECTS ANY SPECIAL FEATURE REGULAR TO THIS DESIGN. ALL PATENT RIGHTS HERETO ARE EXPRESSLY RESERVED BY Amphenol CDI, Cerritos, CA 90703</small>		QUALITY TITLE: SMA MALE STRAIGHT TO Ø .141 SEMI-RIGID CABLE (NO CONTACT) SCALE: 5:1 DIRECTORY/SUB-DIRECTORY: _OUTLINE\ SHEET 1 OF 1		SIZE C 30990		DRAWING NO. 5319		REV. B						

4

3

2

1