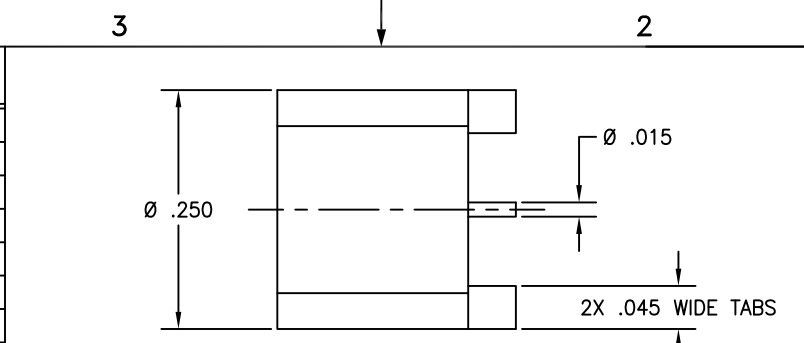
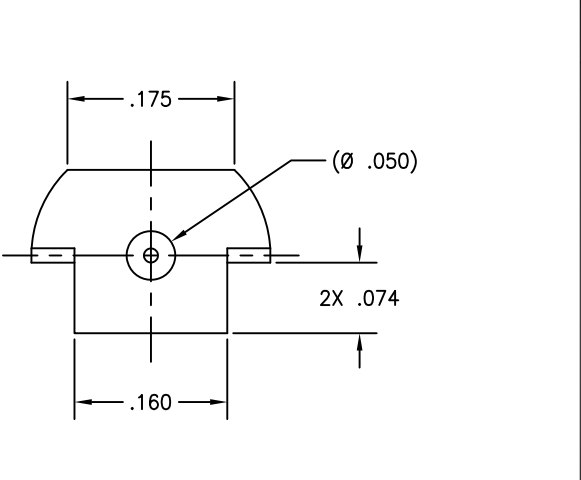
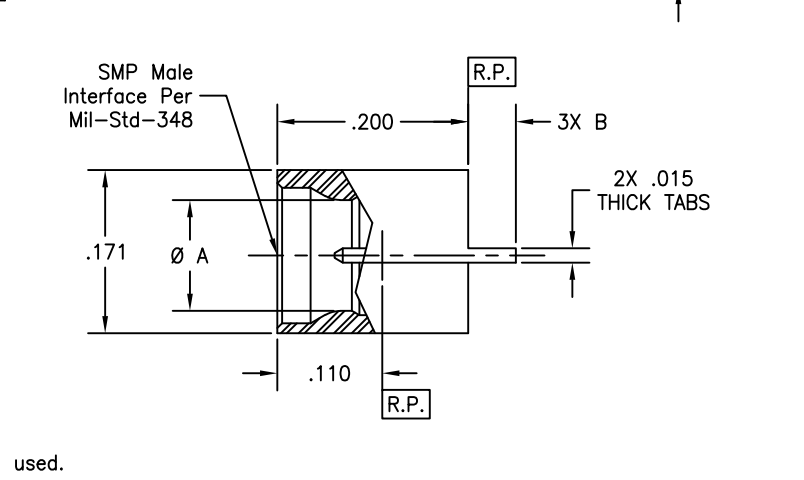


P/N	INTERFACE(S)	Ø A	B	C
-1CC	FULL DETENT	.116	.090	.095
-2CC	LIMITED DETENT	.120	.090	.095
-3CC	SMOOTH BORE	.125	.090	.095
-4CC	FULL DETENT	.116	.050	.055
-5CC	LIMITED DETENT	.120	.050	.055
-6CC	SMOOTH BORE	.125	.050	.055



REVISIONS			
REV	DESCRIPTION	DATE	BY
L	ECO 21939	01.28.09	P.MAO
M	ECO 28228	10.30.14	DKN
N	ECO 202352 (ADD NEW NAME)	11.26.24	DKN

Note(s):
 ① Dimensions shown are for Rogers 4350 PCB material. These dimensions may vary depending on PCB material used.



MATERIAL(S):
 Body & Center Conductor:
 BeCu alloy per ASTM B-196 or B 197.
 Dielectric:
 PTFE per ASTM D-1710.

ELECTRICAL:
 Impedance: 50 Ohms nominal.
 Frequency Range: DC to 18.0 GHz.
 VSWR: 1.06 + .005 X f(GHz).
 Insertion Loss: 0.10 dB max to 18.0 GHz.
 Working Voltage: 335 Vrms max @ sea level.
 65 Vrms max @ 70,000 ft.
 Dielectric Withstanding Voltage: 500 Vrms min.
 R.F. HiPot Voltage: 325 Vrms min @ 5MHz.
 Corona Level: 190 Vrms @ 70,000 ft.
 Insulation Resistance: 5,000 MegOhms min.
 Contact Resistance:
 Center Contact: 4.0 Milliohm max.
 Outer Contact: 2.0 Milliohm max.
 R.F. Leakage: -80 dB max to 3.0 GHz.
 -60 dB max to 18.0 GHz.

MECHANICAL:
 Mating Characteristics:
 Interface per Mil-Std-348.
 Force To Engage:
 Full Detent: 15 lbs max
 Limited Detent: 10 lbs max
 Smooth Bore: 2 lbs max
 Force To Disengage:
 Full Detent: 5 lbs min
 Limited Detent: 2 lbs min
 Smooth Bore: .5 lbs min
 Center Contact Retention:
 Axial Force: 1.5 pounds min.
 Note: 10 lbs min when contact is soldered onto PCB.
 Radial Torque: NA
 Connector Durability:
 Full Detent: 100 cycles min.
 Limited Detent: 500 cycles min.
 Smooth Bore: 1,000 cycles min.
 Connector Attachment Strength: 20 lbs max.
 Note: Depend on the solder techniques.

ENVIRONMENTAL:
 Temperature Range: -65°C to +165°C.
 Thermal Shock:
 Mil-Std-202, Method 107, Test Cond. C.
 Moisture Resistance:
 Mil-Std-202, Method 106, except step 7b shall be omitted. Insulation resistance at least 1,000 MegOhms within 5 minutes after removal from humidity.
 Corrosion:
 Mil-Std-202, Method 101, Test Cond. B.
 Vibration:
 Mil-Std-202, Method 204, Test Cond. D.
 Shock:
 Mil-Std-202, Method 213, Test Cond. I.

FINISH(ES):
 Body:
 Gold plate per ASTM B-488, Type II, Code C, .000010/.000030 thick;
 Over nickel underplate per SAE-AMS-QQ-N-290, Class 1, .000050 min thick.
 Center Conductor:
 Gold plate per ASTM B-488, Type II, Code C or D, .000050 min thick;
 Over nickel underplate per SAE-AMS-QQ-N-290, Class 1, .000050 min thick.

APPLICABLE Amphenol CDI DOCUMENTS		
WORK STD	PROD INST	ASSY INST
NA	NA	NA

NOTICE
 THIS DRAWING EMBODIES A CONFIDENTIAL PROPRIETARY DESIGN ORIGINATED BY Amphenol CDI AND ALL DESIGN, MANUFACTURING, RE-PRODUCTION, USE AND SALE RIGHTS REGARDING THE SAME ARE EXPRESSLY RESERVED. IT IS SUBMITTED UNDER A CONFIDENTIAL RELATIONSHIP FOR A SPECIFIED PURPOSE AND THE RECIPIENT AGREES BY ACCEPTING THIS DRAWING NOT TO SUPPLY OR DISCLOSE ANY INFORMATION REGARDING IT TO ANY UNAUTHORIZED PERSON TO INCORPORATE OTHER PROJECTS ANY SPECIAL FEATURE REGULAR TO THIS DESIGN. ALL PATENT RIGHTS HERETO ARE EXPRESSLY RESERVED BY Amphenol CDI, Cerritos, CA 90703.

TOLERANCES AND NOTES EXCEPT AS NOTED
 INTERPRET DRAWING PER ASME Y14.5-2018
 DIMENSIONS ARE IN INCHES:
 LINEAR .XX ±.015
 .XXX ±.005
 FRACTION ± 1/32
 ANGULAR ± 1/2°

1. MACHINE FINISH: 63/RMS
2. BREAK ALL SHARP EDGES .003 MAX.
3. MACHINED FILLETS .005 MAX.
4. MACHINED SURFACES SQUARE TO RESPECTIVE AXIS WITHIN .005 INCHES PER INCH.
5. MACHINED DIAMETERS CONCENTRIC WITHIN .002 T.I.R.
6. DIMENSIONS TO BE MET BEFORE PLATING.
7. CHAMFER ALL THREADS 45°.
8. THREADS PER 11-26.
9. REMOVE FRAYED EDGES ON TEFLON.
10. REMOVE ALL BURRS.

MATERIAL		SPECIFICATION		PROCUREMENT	
APPROVAL INITIALS	DATE	TITLE		SHEET 1 OF 2	
DRAWN BY ATV	08.10.99	SMP MALE, PCB EDGE MOUNT TO Ø .015 STRAIGHT TERMINATION		12900 Alondra Blvd. Cerritos, CA 90703	
CHECKED BY P.MAO	08.10.09	SCALE 10:1		SHEET 1 OF 2	
TEST ENGG		SIZE C		REV. N	
DESIGN ENGG P.MAO	08.10.09	CAGE CODE 30990		P606	
MFG ENGG		DRAWING NO. P606			
ECO APPRV DNg	11.26.24				

4

3

2

1

D

D

C

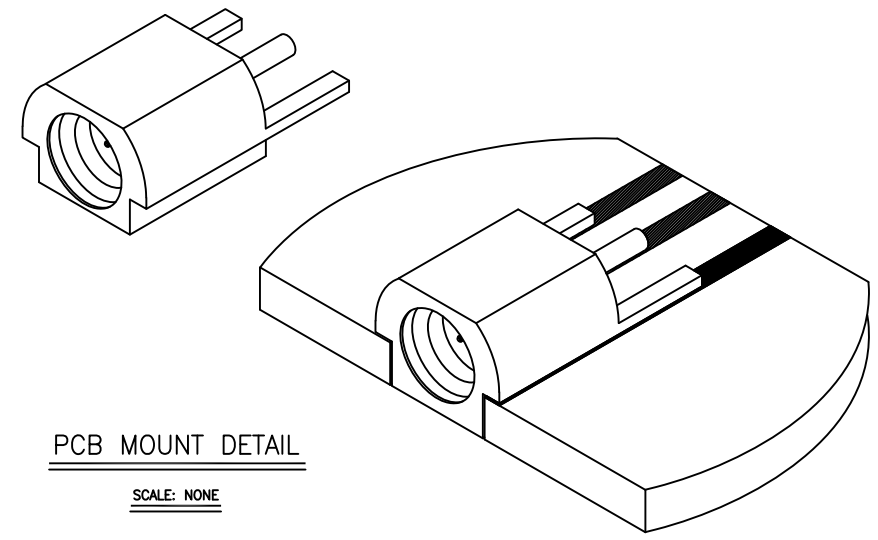
C

B

B

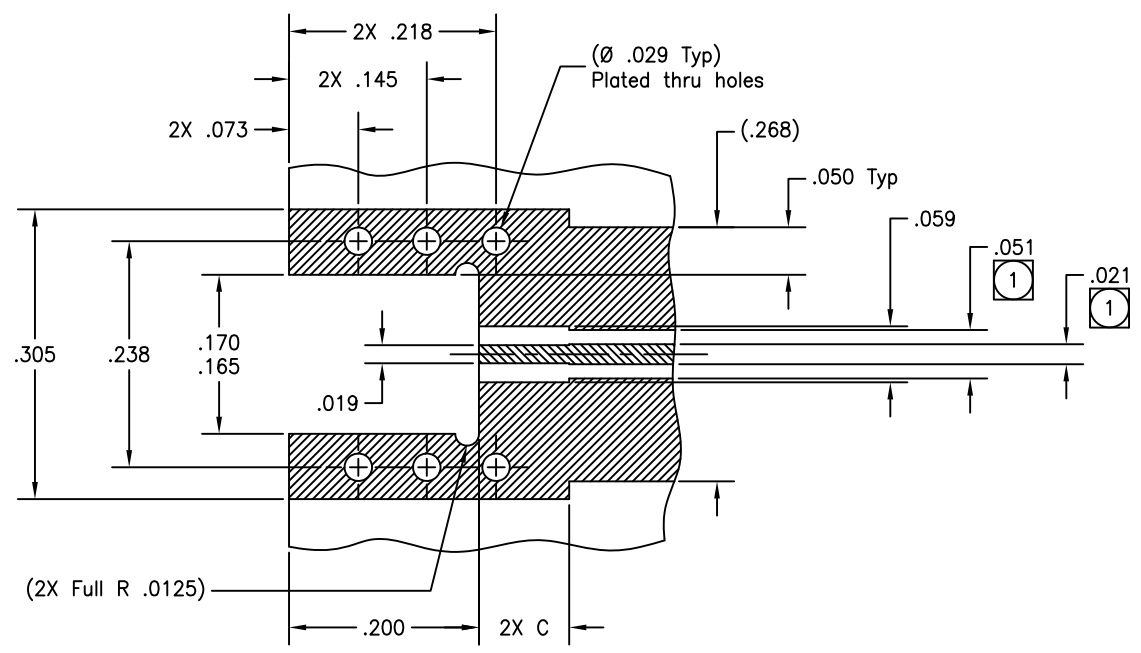
A

A



PCB MOUNT DETAIL

SCALE: NONE



RECOMMENDED PCB CUTOUT

SCALE: 10:1

SCALE	10:1	DIRECTORY\SUB-DIRECTORY	_OUTLINE\	SHEET	2	of	2	
SIZE	C	CAGE CODE	30990	DRAWING NO.	P606		REV.	N