

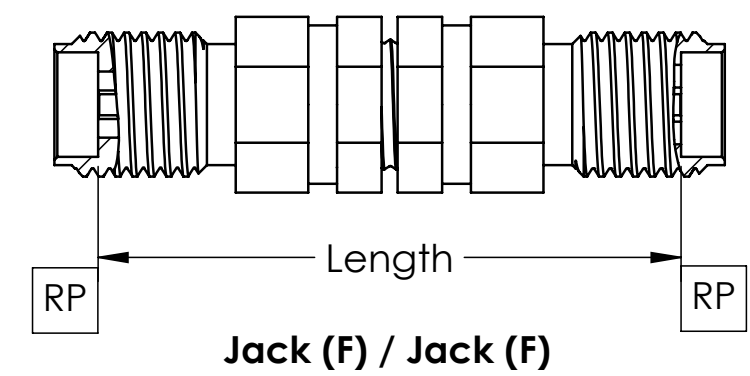
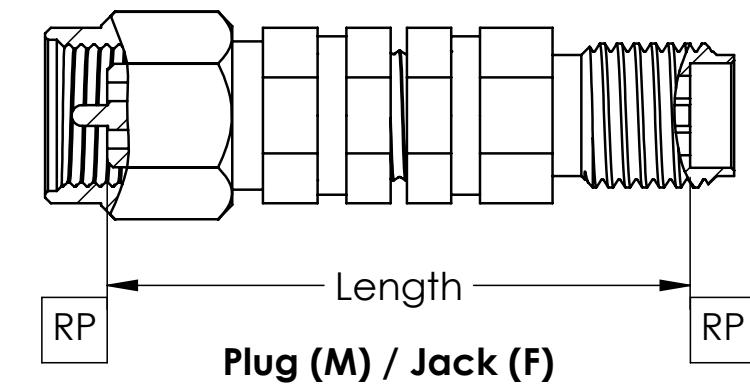
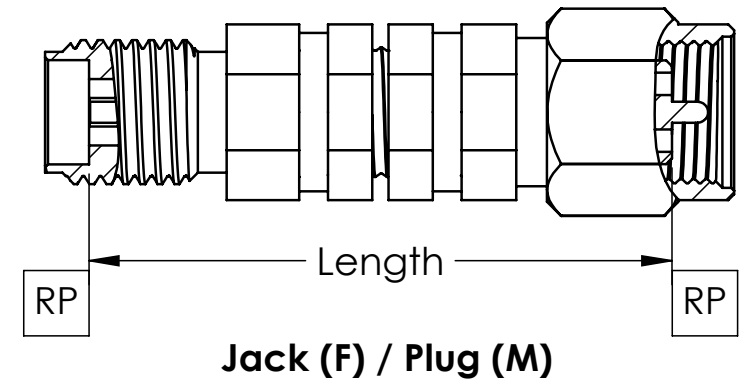
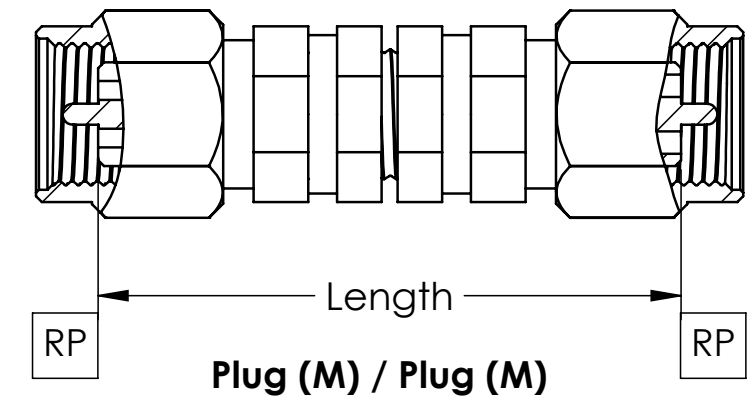
IN - SERIES

Series	Part no	Connector 1	Connector 2	Figure	Length	Freq range (GHz)	VSWR (max)
3.5mm	TMA-5FS-5FS-00	3.5mm Jack (F)	3.5mm Jack (F)	Jack (F)/Jack (F)	1.012in [25.7mm]	DC-26.5	1.18:1
	TMA-5MS-5FS-00	3.5mm Plug (M)	3.5mm Jack (F)	Plug (M)/Jack (F)			
	TMA-5MS-5MS-00	3.5mm Plug (M)	3.5mm Plug (M)	Plug (M)/Plug (M)			
2.92mm	TMA-9FS-9FS-00	2.92mm Jack (F)	2.92mm Jack (F)	Jack (F)/Jack (F)	1.012in [25.7mm]	DC-40	1.20:1
	TMA-9MS-9FS-00	2.92mm Plug (M)	2.92mm Jack (F)	Plug (M)/Jack (F)			
	TMA-9MS-9MS-00	2.92mm Plug (M)	2.92mm Plug (M)	Plug (M)/Plug (M)			
2.4mm	TMA-4FS-4FS-00	2.4mm Jack (F)	2.4mm Jack (F)	Jack (F)/Jack (F)	0.924in [25.47mm]	DC-50	1.20:1
	TMA-4MS-4FS-00	2.4mm Plug (M)	2.4mm Jack (F)	Plug (M)/Jack (F)			
	TMA-4MS-4MS-00	2.4mm Plug (M)	2.4mm Plug (M)	Plug (M)/Plug (M)			
1.85mm	TMA-8FS-8FS-00	1.85mm Jack (F)	1.85mm Jack (F)	Jack (F)/Jack (F)	0.924in [25.47mm]	DC-60	1.25:1
	TMA-8MS-8FS-00	1.85mm Plug (M)	1.85mm Jack (F)	Plug (M)/Jack (F)			
	TMA-8MS-8MS-00	1.85mm Plug (M)	1.85mm Plug (M)	Plug (M)/Plug (M)			

BETWEEN - SERIES

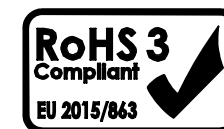
Series	Part no	Connector 1	Connector 2	Figure	Length	Freq range (GHz)	VSWR (max)
1.85mm to 3.5mm	TMA-8FS-5FS-00	1.85mm Jack (F)	3.5mm Jack (F)	Jack (F) / Jack (F)	0.968in [24.59mm]	DC-26.5	1.18:1
	TMA-8MS-5FS-00	1.85mm Plug (M)	3.5mm Jack (F)	Plug (M) / Jack (F)			
	TMA-8FS-5MS-00	1.85mm Jack (F)	3.5mm Plug (M)	Plug (F) / Plug (M)			
1.85mm to 2.92mm	TMA-8FS-9FS-00	1.85mm Jack (F)	2.92mm Jack (F)	Jack (F) / Jack (F)	0.968in [24.59mm]	DC-40	1.20:1
	TMA-8MS-9FS-00	1.85mm Plug (M)	2.92mm Jack (F)	Plug (M) / Jack (F)			
	TMA-8FS-9MS-00	1.85mm Jack (F)	2.92mm Plug (M)	Plug (F) / Plug (M)			
1.85mm to 2.4mm	TMA-8FS-4FS-00	1.85mm Jack (F)	2.4mm Jack (F)	Jack (F) / Jack (F)	0.924in [25.47mm]	DC-50	1.20:1
	TMA-8MS-4FS-00	1.85mm Plug (M)	2.4mm Jack (F)	Plug (M) / Jack (F)			
	TMA-8FS-4MS-00	1.85mm Jack (F)	2.4mm Plug (M)	Plug (F) / Plug (M)			
2.4mm to 3.5mm	TMA-4FS-5FS-00	2.4mm Jack (F)	3.5mm Jack (F)	Jack (F) / Jack (F)	0.968in [24.59mm]	DC-26.5	1.18:1
	TMA-4MS-5FS-00	2.4mm Plug (M)	3.5mm Jack (F)	Plug (M) / Jack (F)			
	TMA-4FS-5MS-00	2.4mm Jack (F)	3.5mm Plug (M)	Plug (F) / Plug (M)			
2.4mm to 2.92mm	TMA-4FS-9FS-00	2.4mm Jack (F)	2.92mm Jack (F)	Jack (F) / Jack (F)	0.968in [24.59mm]	DC-40	1.20:1
	TMA-4MS-9FS-00	2.4mm Plug (M)	2.92mm Jack (F)	Plug (M) / Jack (F)			
	TMA-4FS-9MS-00	2.4mm Jack (F)	2.92mm Plug (M)	Plug (F) / Plug (M)			
2.4mm to 3.5mm	TMA-9FS-5FS-00	2.92mm Jack (F)	3.5mm Jack (F)	Jack (F) / Jack (F)	1.012in [25.7mm]	DC-26.5	1.18:1
	TMA-9MS-5FS-00	2.92mm Plug (M)	3.5mm Jack (F)	Plug (M) / Jack (F)			
	TMA-9FS-5MS-00	2.92mm Jack (F)	3.5mm Plug (M)	Plug (F) / Plug (M)			
	TMA-9MS-5MS-00	2.92mm Plug (M)	3.5mm Plug (M)	Plug (M) / Plug (M)			

REVISION			
REV.	DESCRIPTION	DATE	BY
-	INITIAL RELEASE	12/03/2024	PV
A	CORRECTED PN	04/08/25	PV



Figure

THE INFORMATION CONTAINED HEREIN IS PROPRIETARY TO AMPHENOL, AND SHALL IN NO WAY BE REPRODUCED OR DISCLOSED IN WHOLE OR IN PART OR USED FOR ANY DESIGN OR MANUFACTURE EXCEPT WHEN SUCH USER POSSESSES DIRECT, WRITTEN AUTHORIZATION FROM AMPHENOL.



DIMENSIONS ARE IN MILLIMETERS/INCHES ± TOLERANCES UNLESS OTHERWISE NOTED				THIRD ANGLE PROJECTION		Amphenol CDI			
.XXX	.XXXX	ANGLE	FRACTIONS			ADAPTER, COAXIAL (RF), IN-SERIES / BETWEEN-SERIES			
0.076 [0.003]	0.013 [0.0005]	0.5							
DESIGN ENGR: P. VOLKOV		12/03/24		DESIGNED BY: P. VOLKOV		12/03/24		TITLE	
PRODUCT:				QUALITY:				SIZE	CAGE CODE
NEXT ASSY.		USED ON		MFG:				C	7M294
APPLICATION								CARLISLE NUMBER	REV
								TMA-XXS-XXS-00	A
								SCALE: 3:1	DO NOT SCALE DRAWING
								1 OF 2	

8

7

6

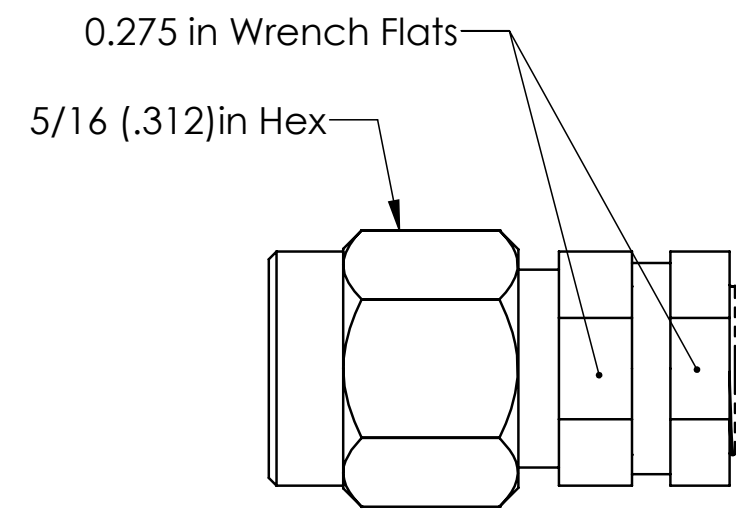
5

4

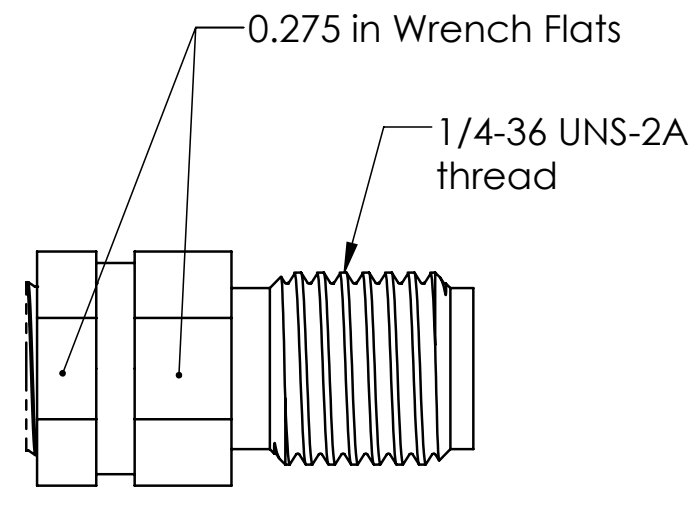
3

2

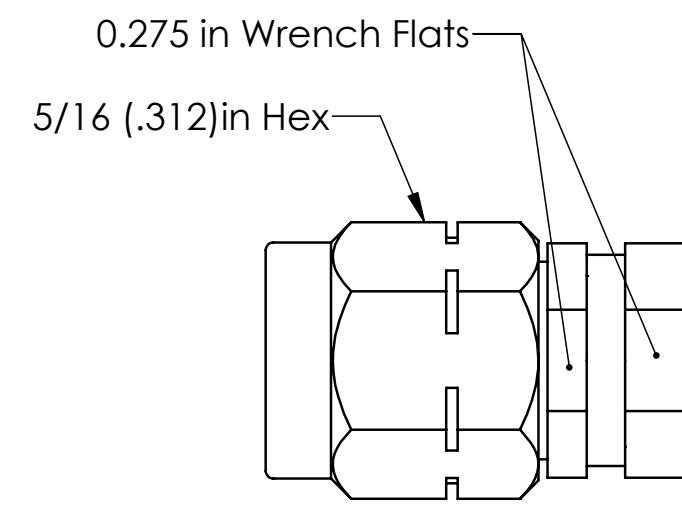
1



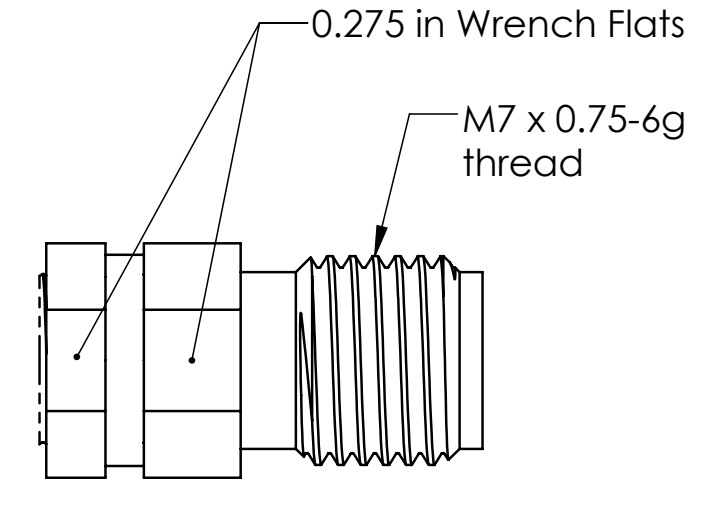
**2.92mm
Plug (Male)**



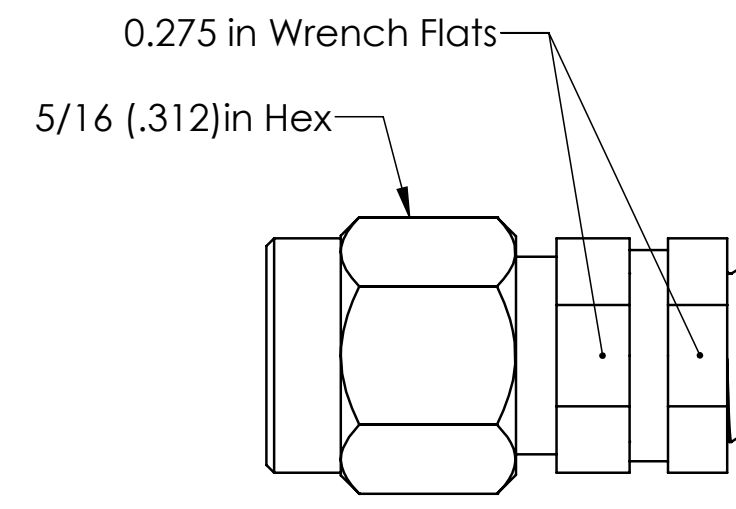
**2.92mm
Jack (Female)**



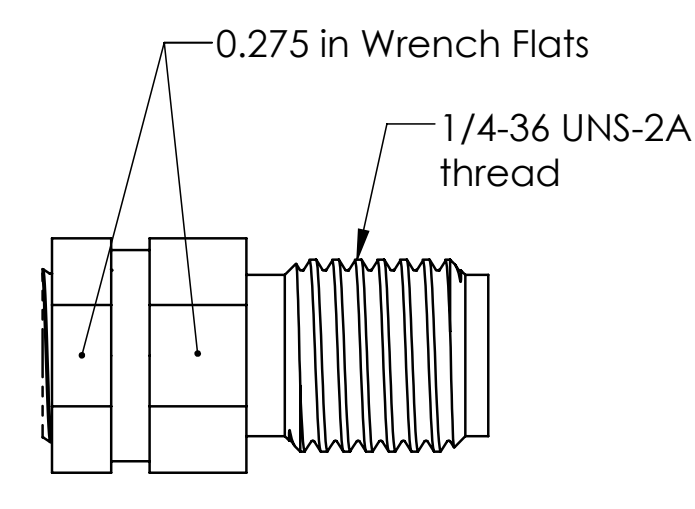
**1.85mm
Plug (Male)**



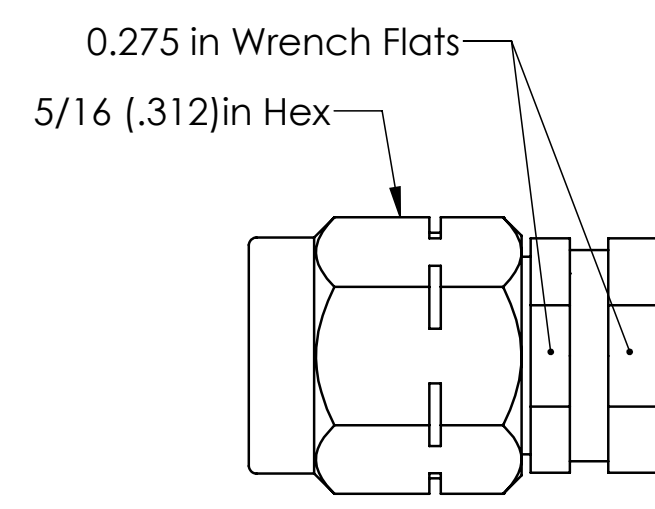
**1.85mm
Jack (Female)**



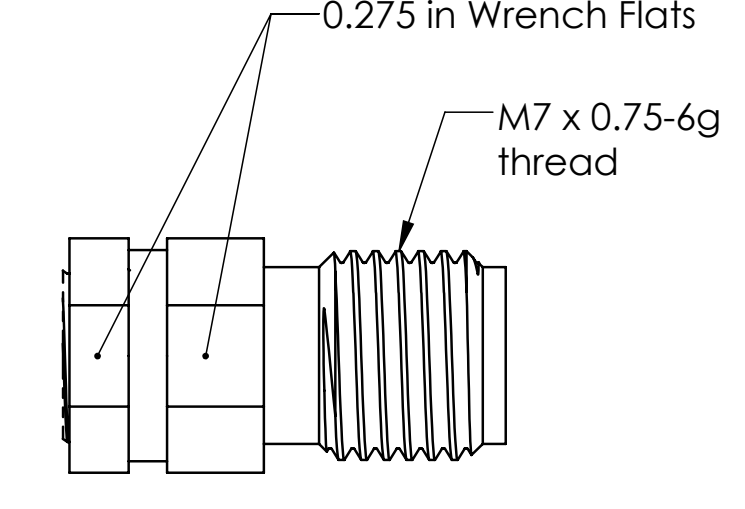
**3.5mm
Plug (Male)**



**3.5mm
Jack (Female)**



**2.4mm
Plug (Male)**



**2.4mm
Jack (Female)**

Connector Interface Definition

Specifications

General

Interface

MIL-STD-348; IEC 61169-32; IEC 60169-23

Electrical

Impedance

50 Ω

Operating freq.

see tabulation

VSWR

see tabulation

Material

Body and Nut

303SST, passivated

Barrel

Brass, gold plated

Center conductor

BeCu, gold plated

Insulator

PTFE

Retaining ring

BeCu

Environment

Temperature range

-65°C to +165°C

Amphenol *CDI*

ADAPTER, COAXIAL (RF),
IN-SERIES / BETWEEN-
SERIES

SIZE
C

CAGE CODE
7M294

DRAWING NUMBER
TMA-XXS-XXS-00

REV
A

SCALE: 4:1

PN: SEE TABULATION

2 OF 2

8

7

6

5

4

3

2

1