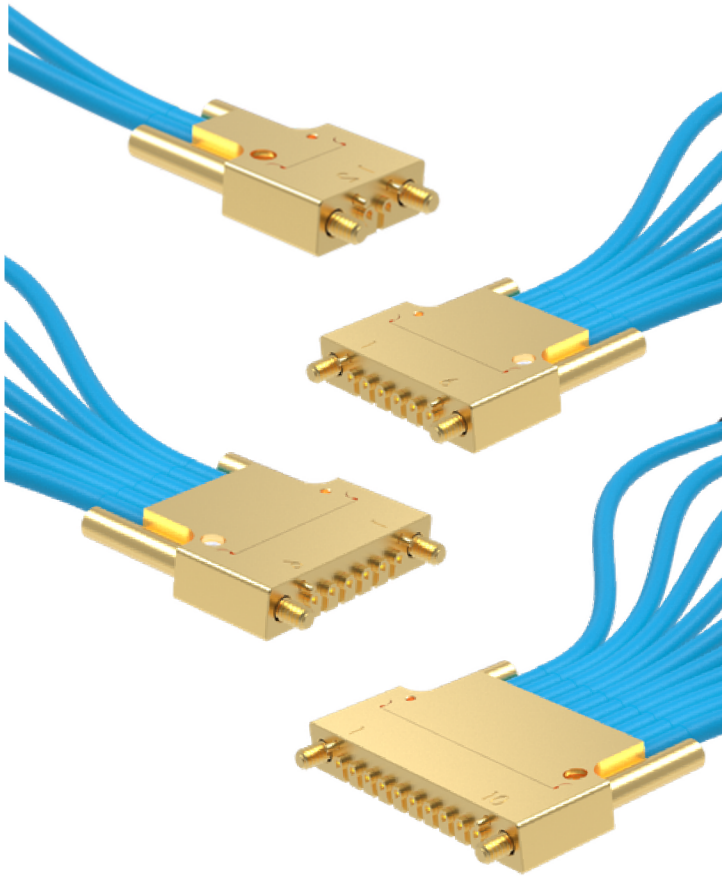


Core Cryo™ Cable Assemblies

INTRODUCTION



When magnetic interference can mean the difference between success and failure, Amphenol CDI's **Core Cryo™ Cable Assemblies** stands apart. Upgraded from our CoreHC™, Core Cryo™ is a specialized solution that is **engineered with non-magnetic materials to ensure complete compatibility with highly sensitive environments**—such as **quantum computing systems and advanced medical imaging equipment**.

By eliminating magnetic materials in connectors and cables, Core Cryo™ **preserves signal integrity and prevents qubit errors and decoherence**, making it **“invisible” to magnetic fields**. It's the ultimate choice for engineers who demand **uncompromising performance in magnetically sensitive applications**.

STANDARD FEATURES

- 20 GHz, 56G PAM4 support
- Rugged connector, 1,000-cycle durability
- 2.5 mm signal-to-signal density
- Quick attach for RF/Digital connections
- Reusable, field-replaceable
- Non-magnetic materials, defined specs

BENEFITS

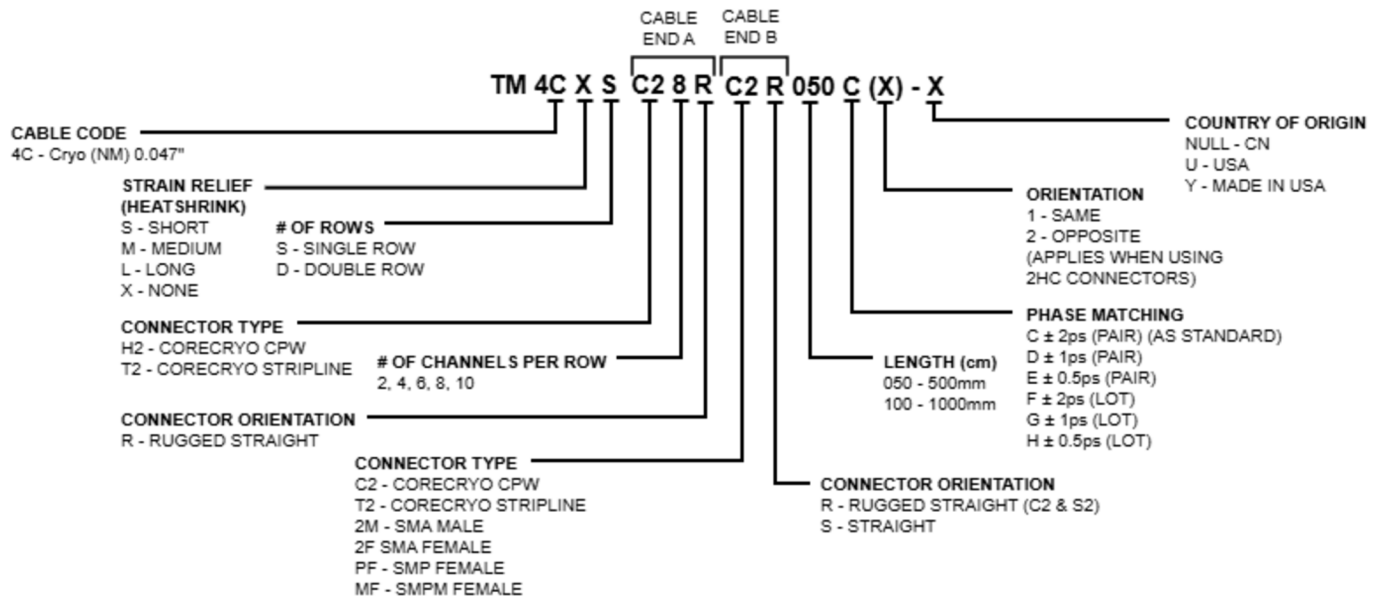
- High-speed data transfer
- Reliable in harsh environments
- Space-saving compact design
- Fast, flexible installation
- Quantum-ready for cryogenic environments
- Simplifies mixed-signal integration

Core Cryo™ Cable Assemblies

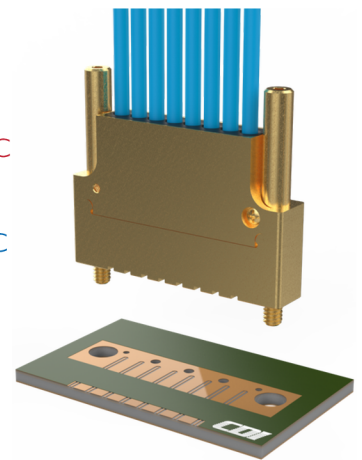
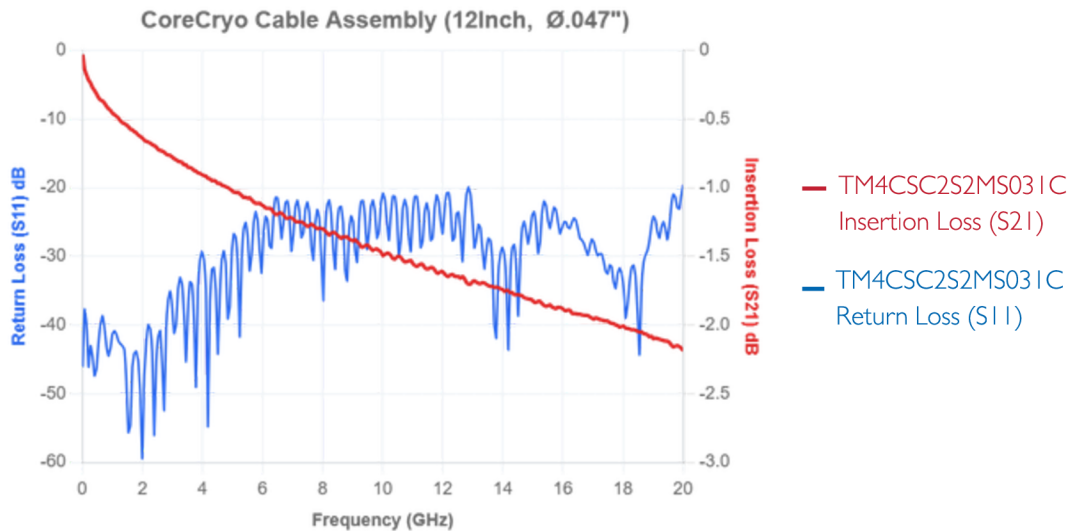
PERFORMANCE SPECIFICATIONS

- Insertion Loss: -7.20dB/Meter
- Return Loss: -18dB
- Impedance: 50+/- 2.5 Ohms
- Phase Match: +/- 2 pS, +/- 1 pS and +/-0.5 pS available upon request
- Max current: 1A

Part Builder



SINGLE CHANNEL TEST: INSERTION & RETURN LOSS



Interested in learning more? Email us or refer to the CoreCryo™ Cable Assembly Builder (TM99-0141-00)