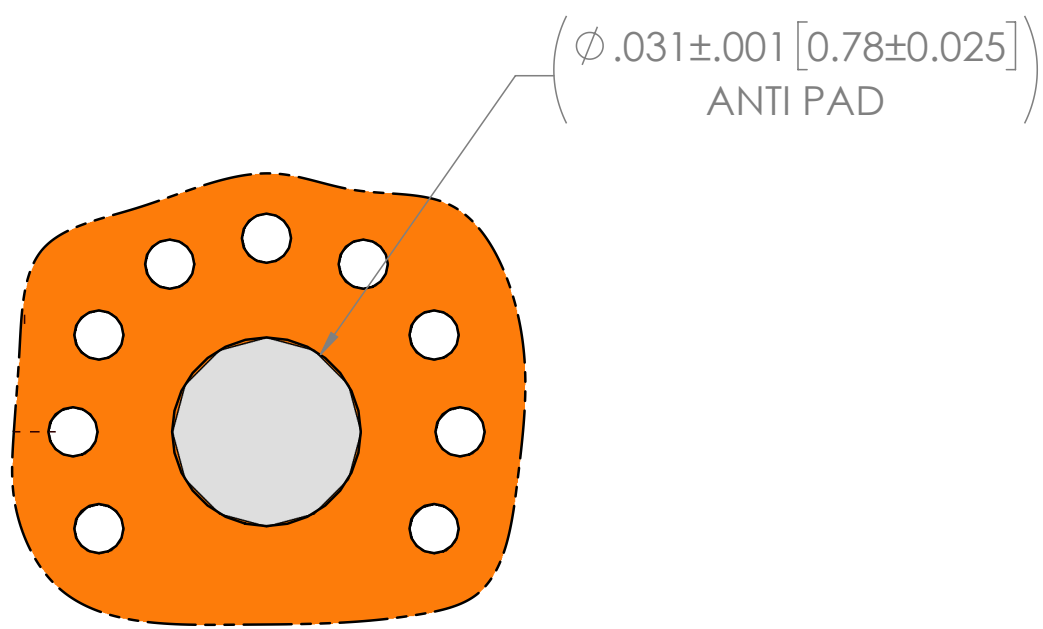
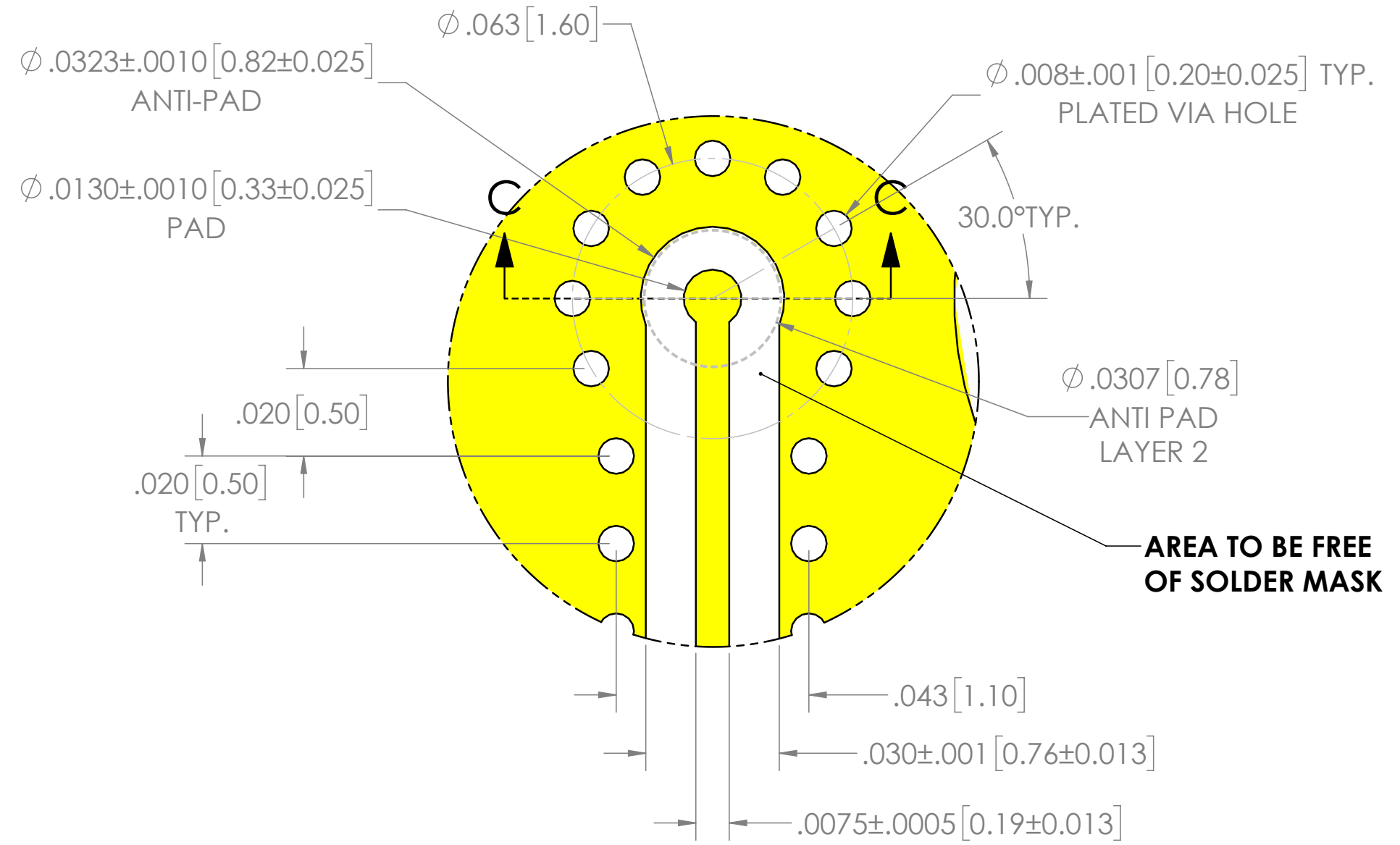


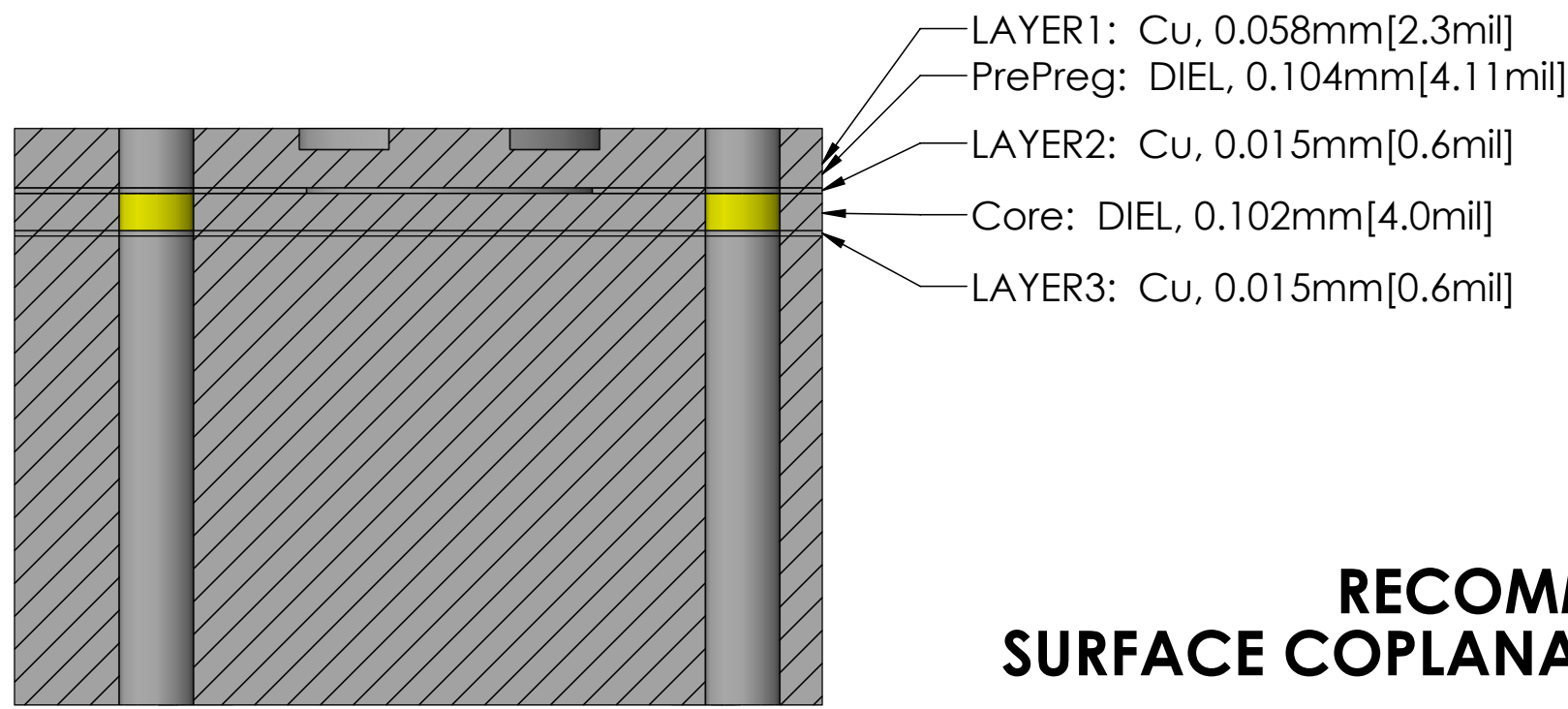
REVISION HISTORY					
ECO	REV.	DESCRIPTION	DRAWN BY	APPROVAL	DATE
	00	INITIAL RELEASE	R BEDIENT	R BEDIENT	4/16/2024



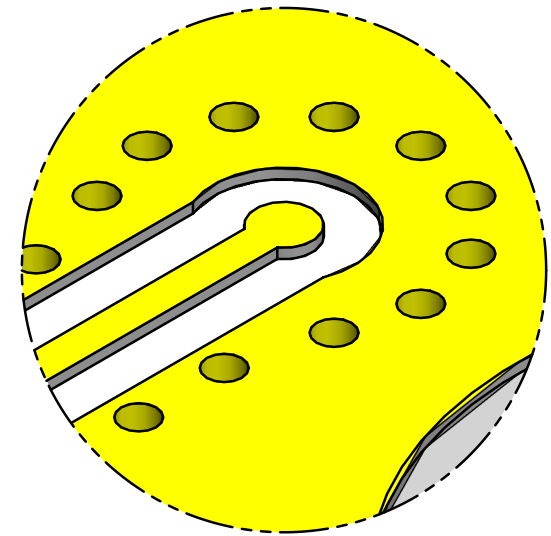
DETAIL B  
SCALE 32 : 1  
LAYER2



DETAIL A  
SCALE 32:1  
LAYER1



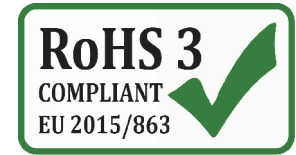
SECTION C-C  
SCALE 50 : 1



DETAIL D  
SCALE 32 : 1

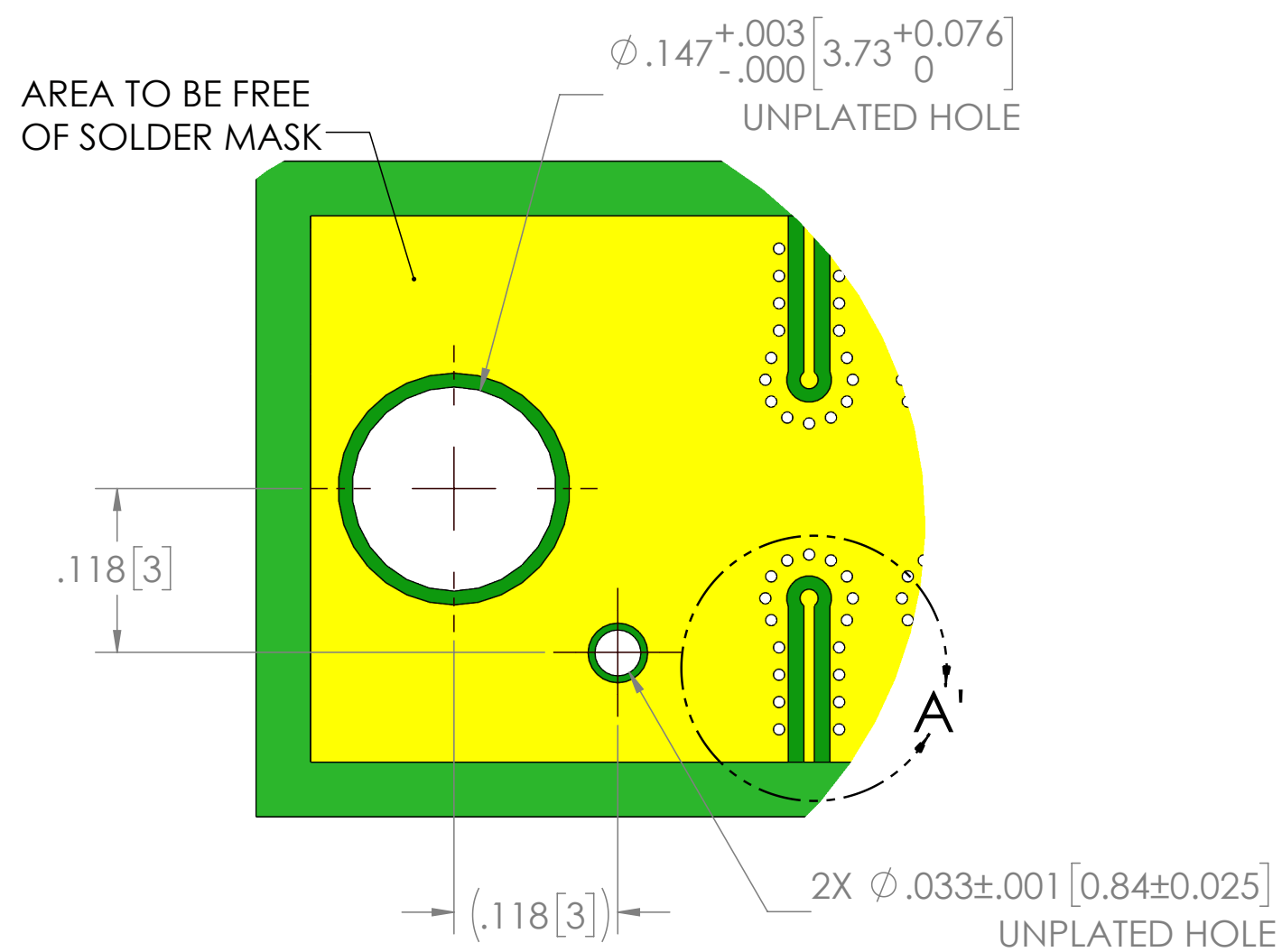
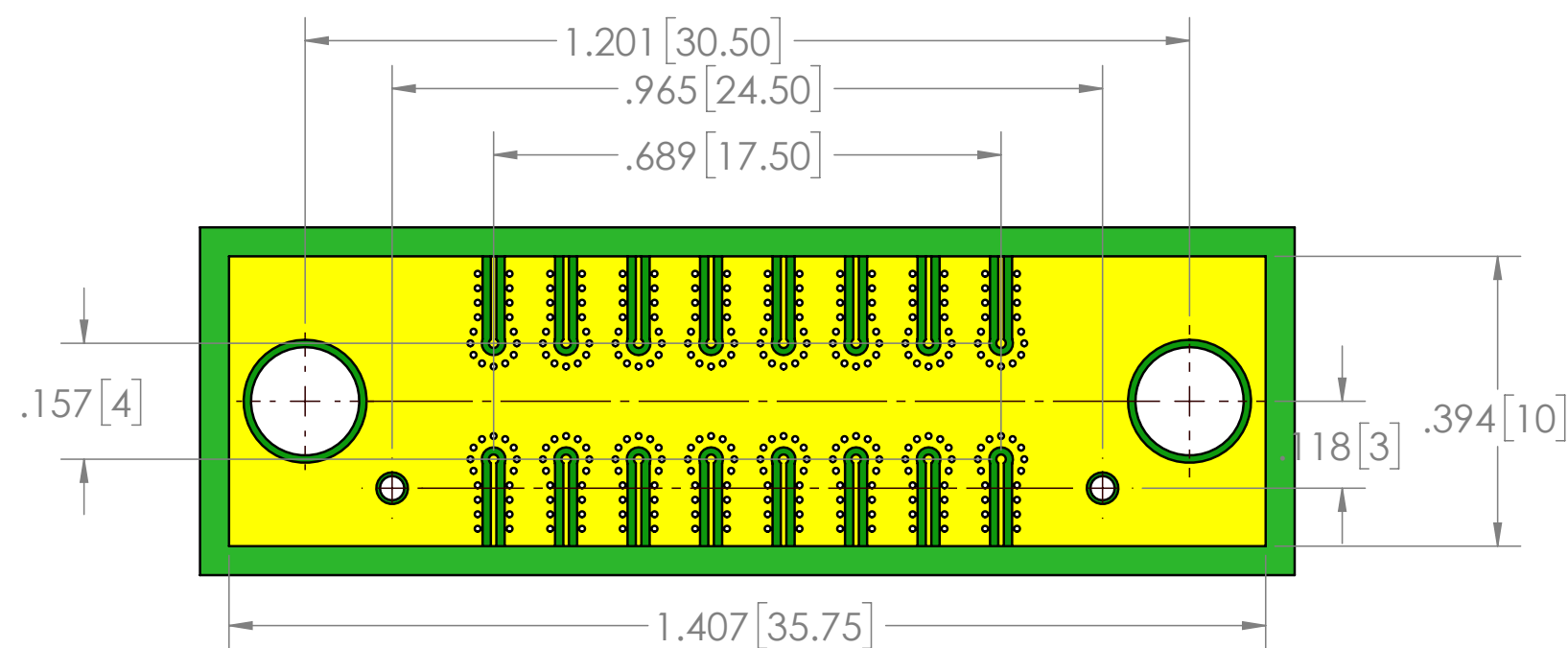
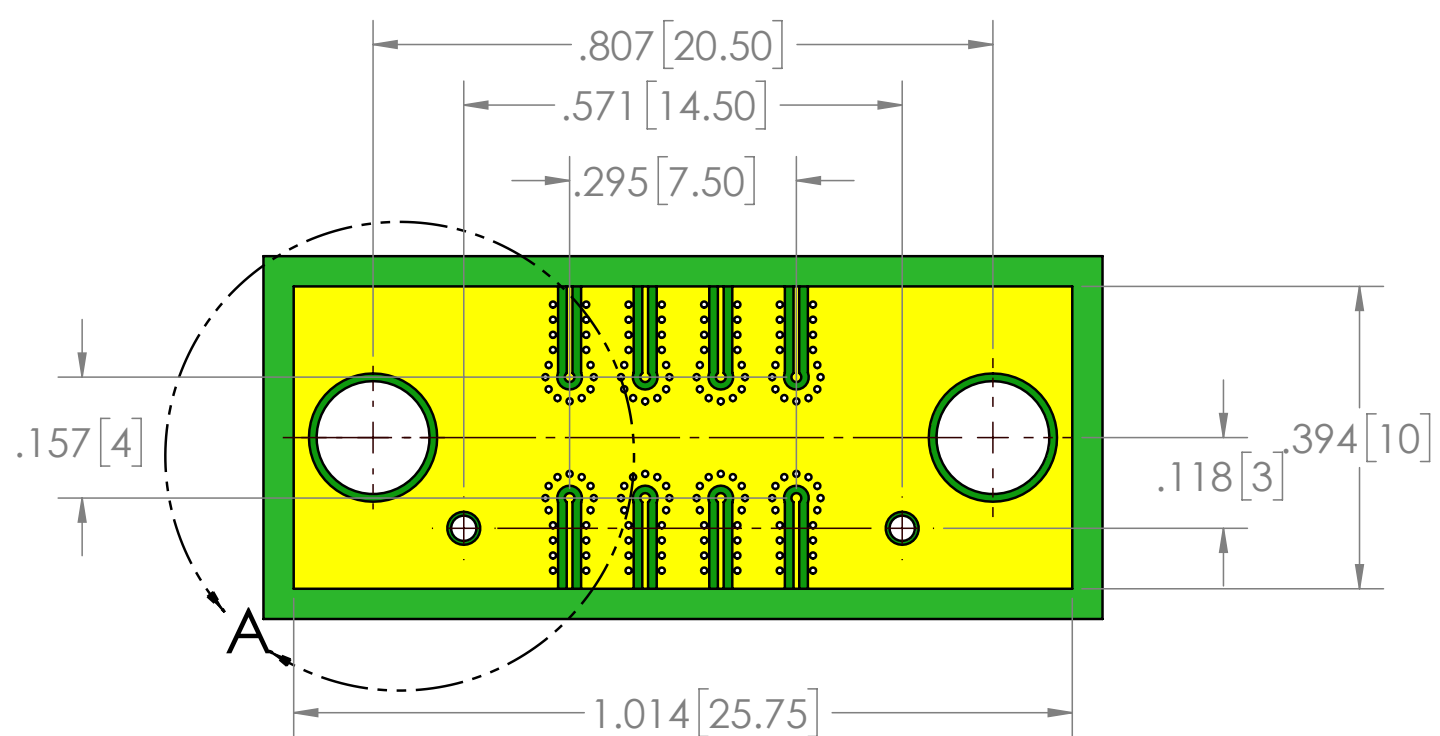
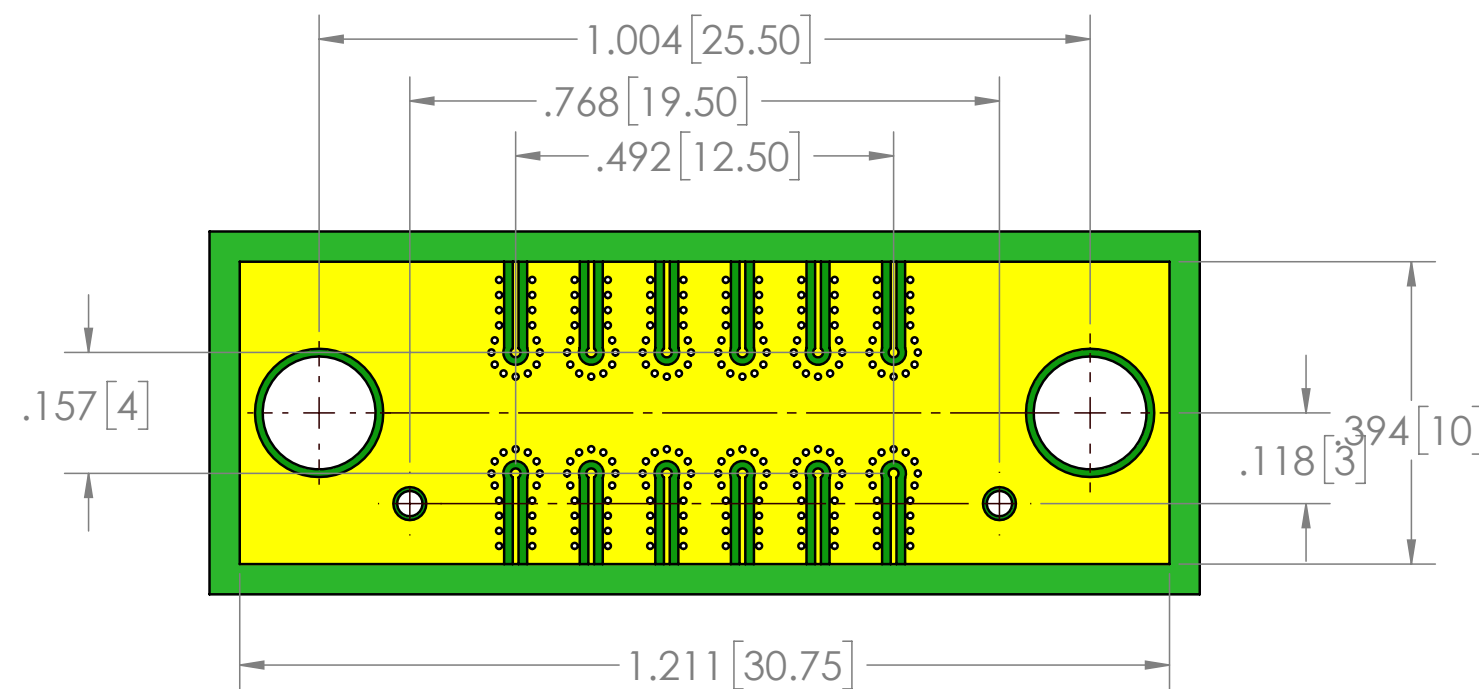
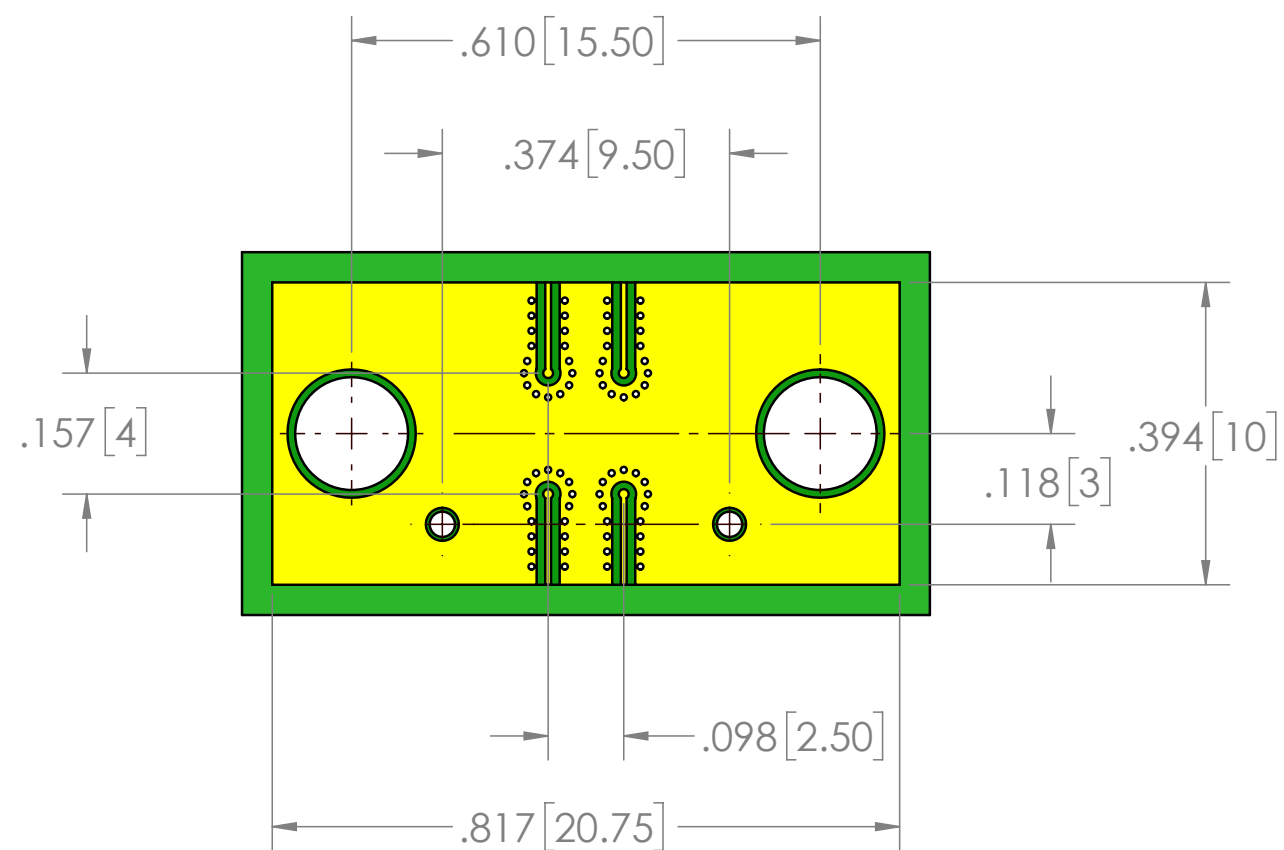
**RECOMMENDED FOOTPRINT  
SURFACE COPLANAR WAVEGUIDE (SINGLE ENDED)**

THE INFORMATION CONTAINED HEREIN IS PROPRIETARY TO CARLISLE, INC. AND SHALL IN NO WAY BE REPRODUCED OR DISCLOSED IN WHOLE OR IN PART OR USED FOR ANY DESIGN OR MANUFACTURE EXCEPT WHEN SUCH USER POSSESSES DIRECT, WRITTEN AUTHORIZATION FROM CARLISLE, INC.

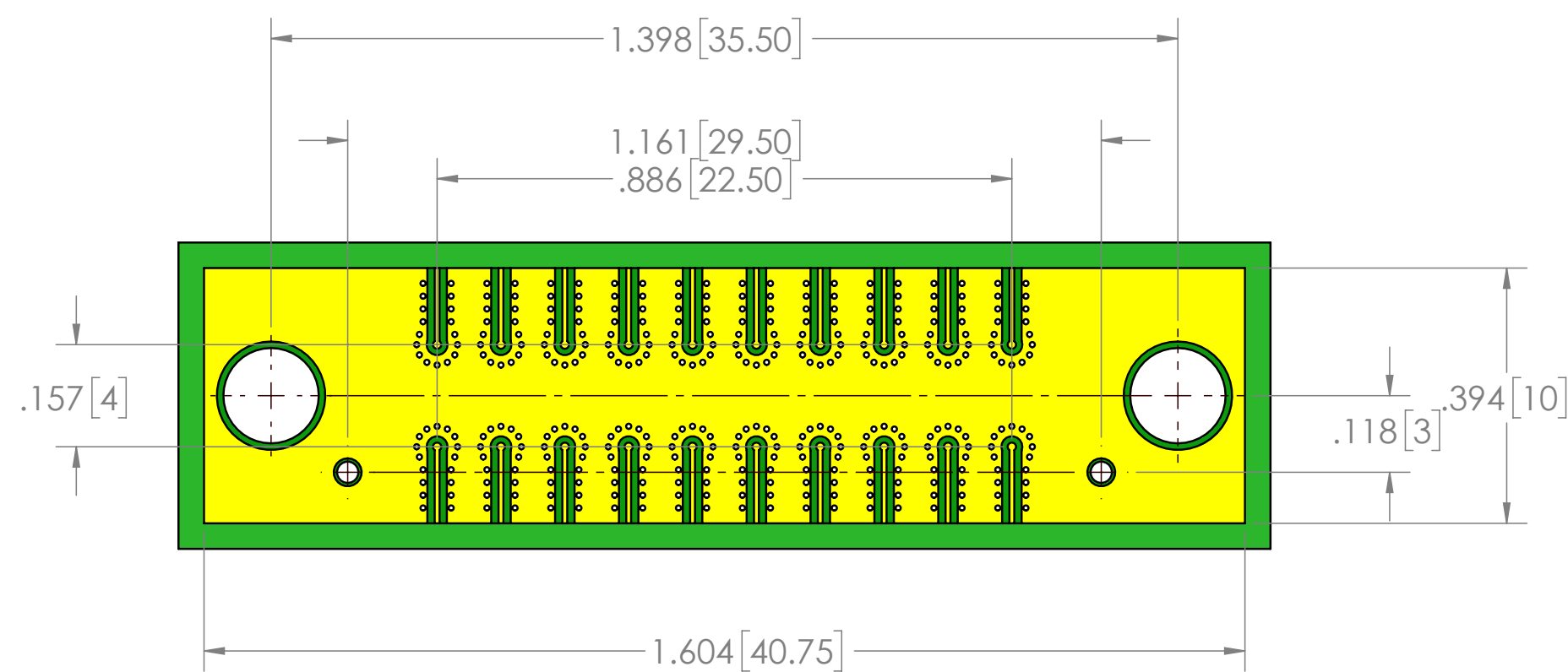


DIMENSIONS ARE IN INCHES/MILLIMETERS ± TOLERANCES UNLESS OTHERWISE NOTED				THIRD ANGLE PROJECTION		CARLISLE INTERCONNECT TECHNOLOGIES			
.XXX	.XXXX	ANGLE	FRACTIONS			22412 66th Ave S. BLD B, Suite C Kent, WA 98032			
0.003 [0.076]	0.0005 [0.013]	0.5		DESIGN ENGR: R BEDIENT	04/16/2024	COREHC 2.5 SPACING DUAL ROW PCB , CPW			
				DESIGNED BY: R BEDIENT	04/16/2024	SIZE: C	CAGE CODE: 7M294	CARLISLE NUMBER: TM13-0240-XX	REV: 00
NEXT ASSY.				USED ON		SCALE: 4:1	DO NOT SCALE DRAWING		1 OF 2
APPLICATION									

CPW



DETAIL A  
SCALE 8 : 1



COREHC 2.5 SPACING  
DUAL ROW PCB , CPW

SIZE C	CAGE CODE 7M294	DRAWING NUMBER TM13-0240-XX	REV 00
SCALE: 4:1		PART NUMBER: TM13-0236-02	2 OF 2