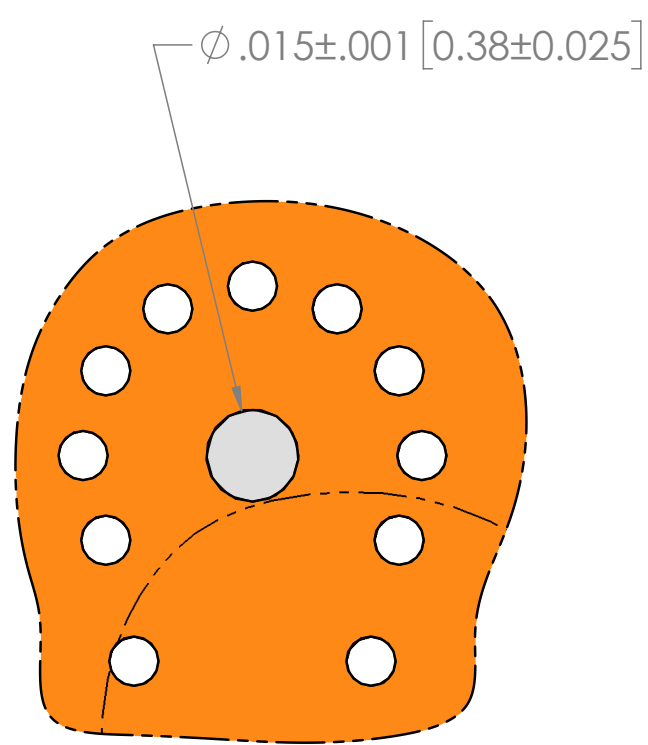
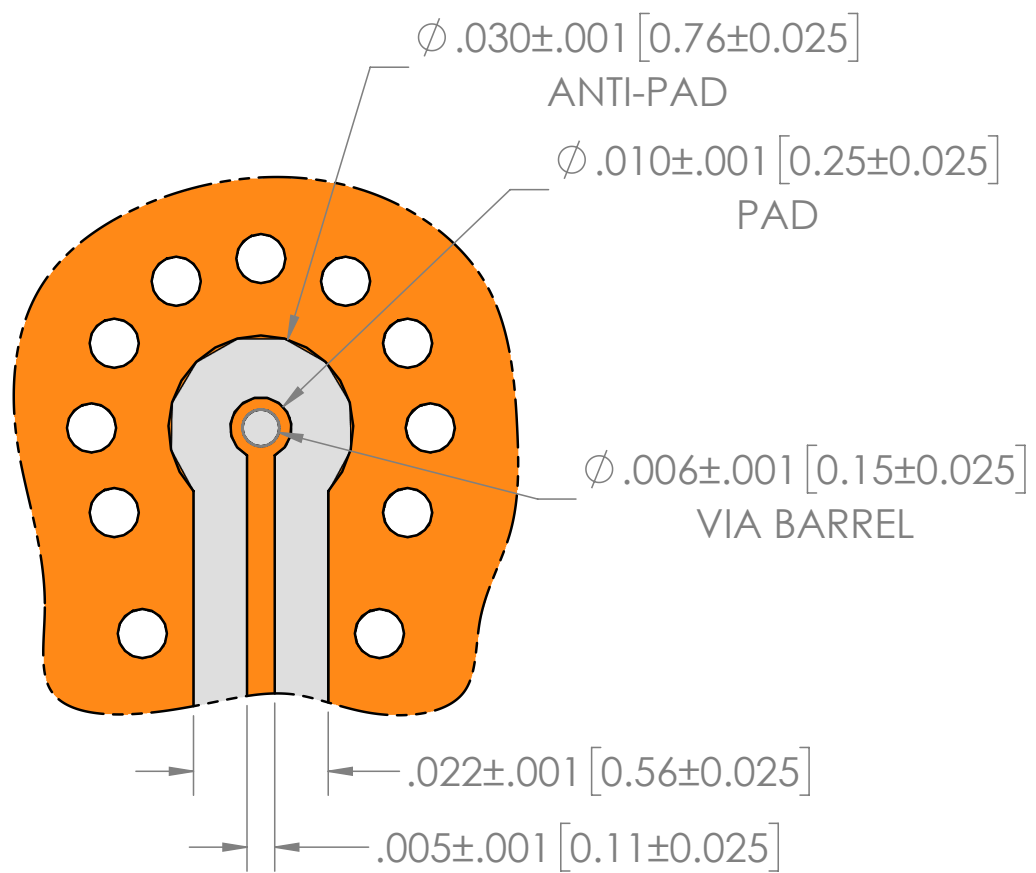


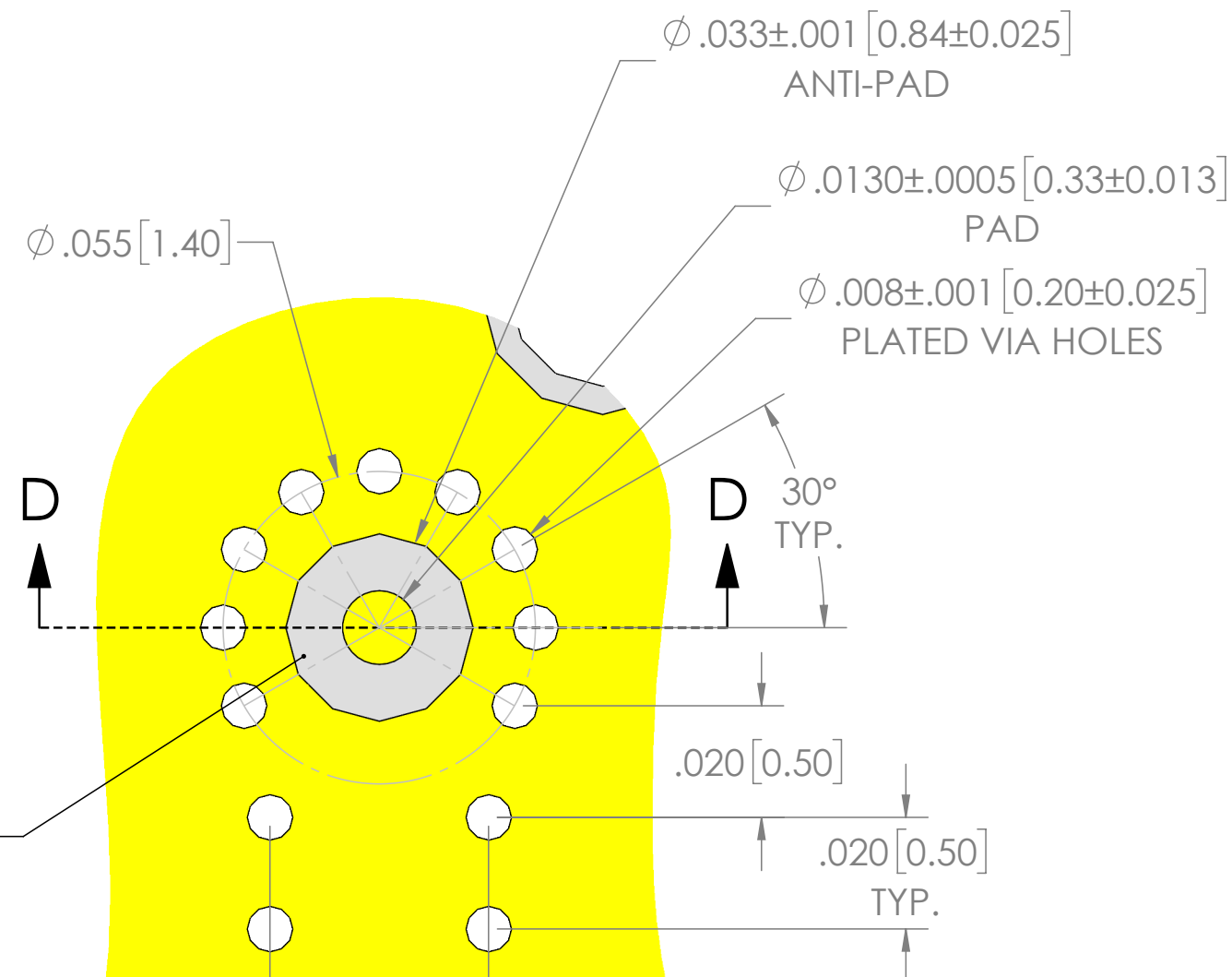
REVISION HISTORY					
ECO	REV.	DESCRIPTION	DRAWN BY	APPROVAL	DATE
	00	INITIAL RELEASE	R BEDIENT	R BEDIENT	4/16/2024



DETAIL C
SCALE 32 : 1
LAYER 3(Cu)

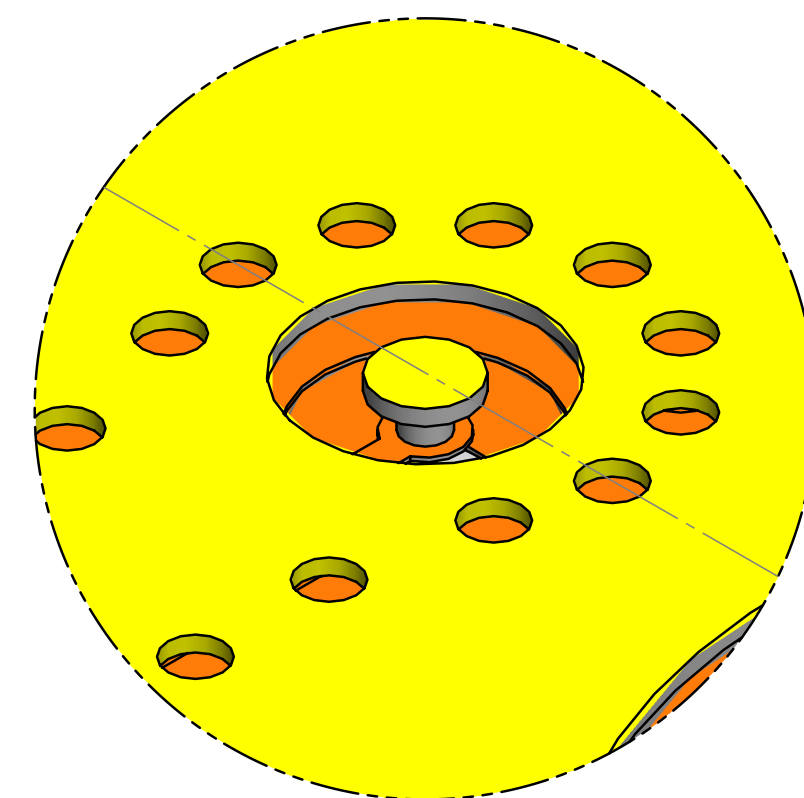


DETAIL B
SCALE 32 : 1
LAYER 2(Cu)

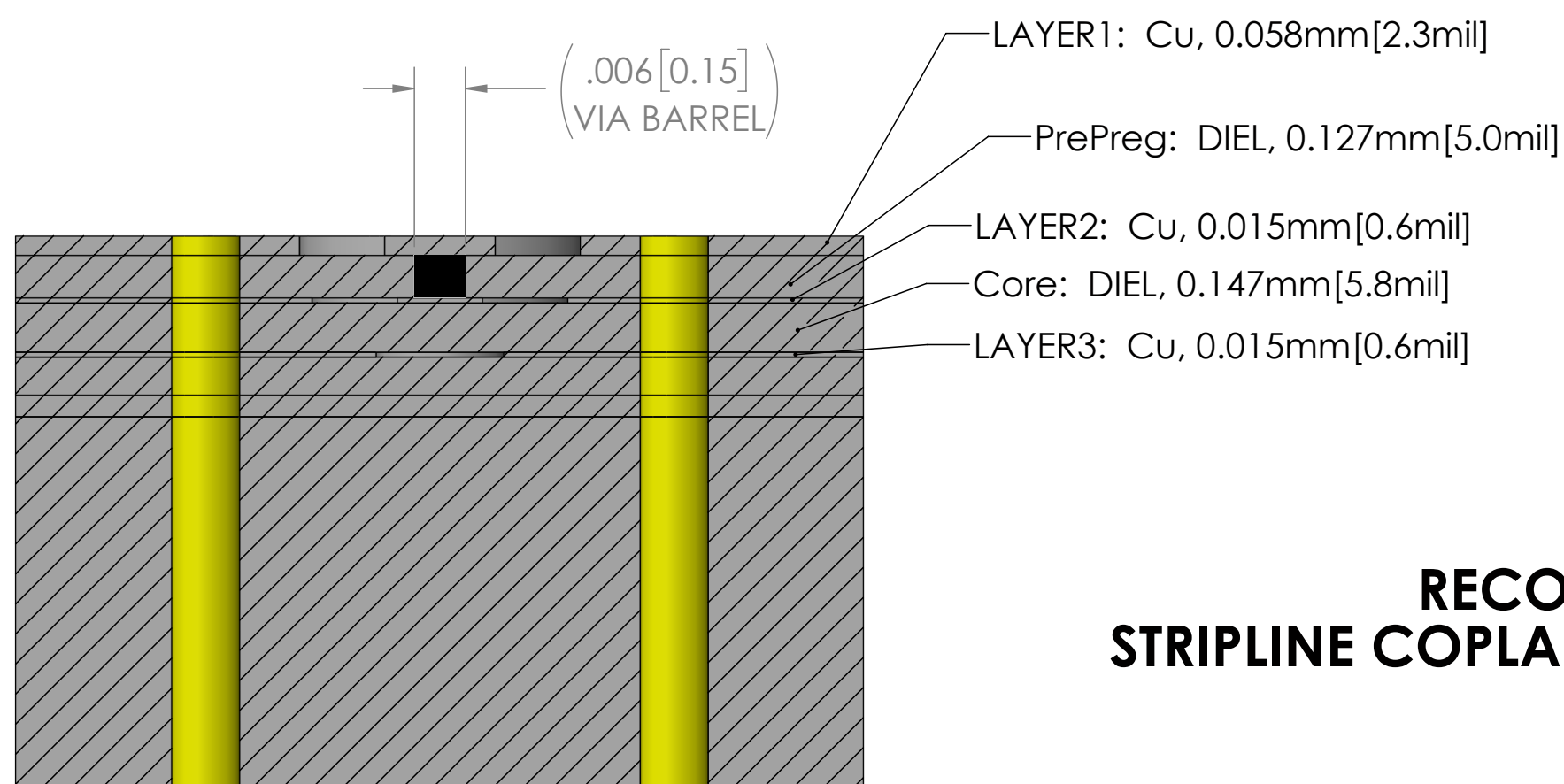


AREA TO BE FREE OF SOLDER MASK

DETAIL A
SCALE 32 : 1
LAYER 1(Cu)



DETAIL E
SCALE 50 : 1



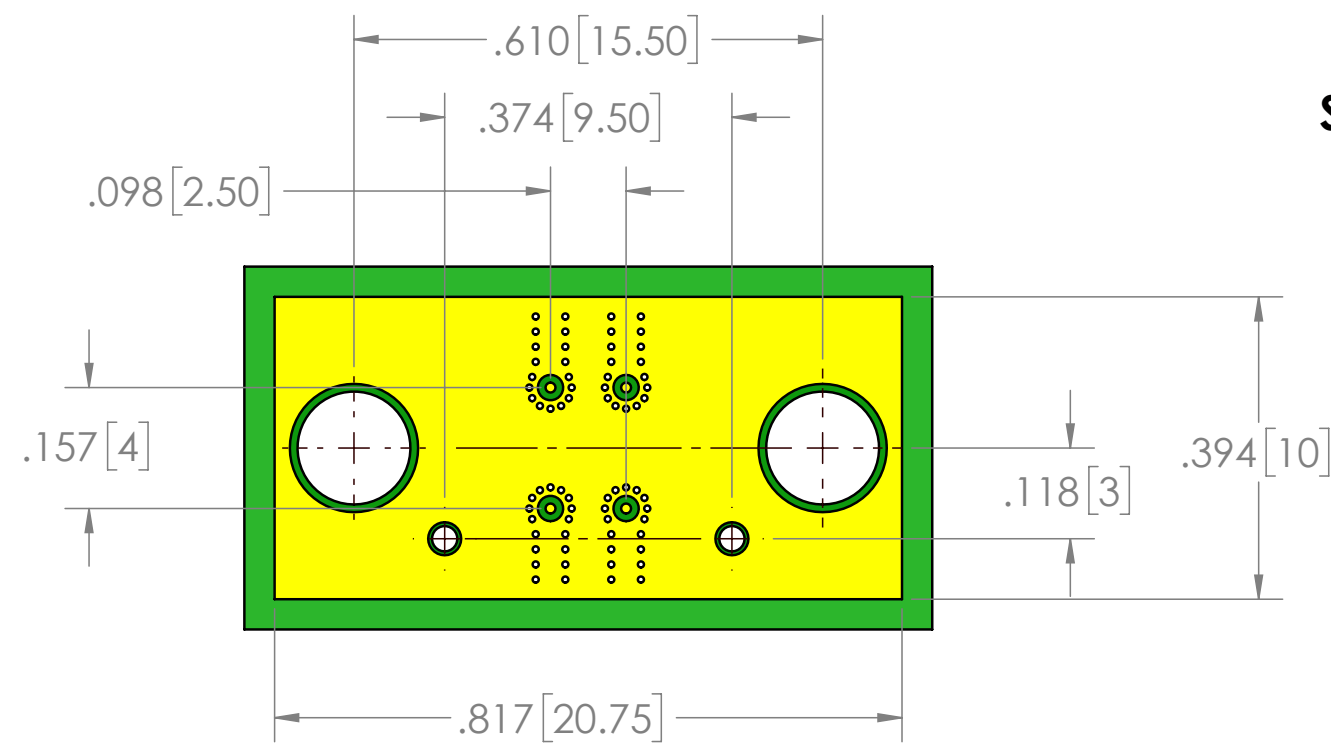
SECTION D-D
SCALE 50 : 1

**RECOMMENDED FOOTPRINT
STRIPLINE COPLANAR WAVEGUIDE (SINGLE ENDED)**

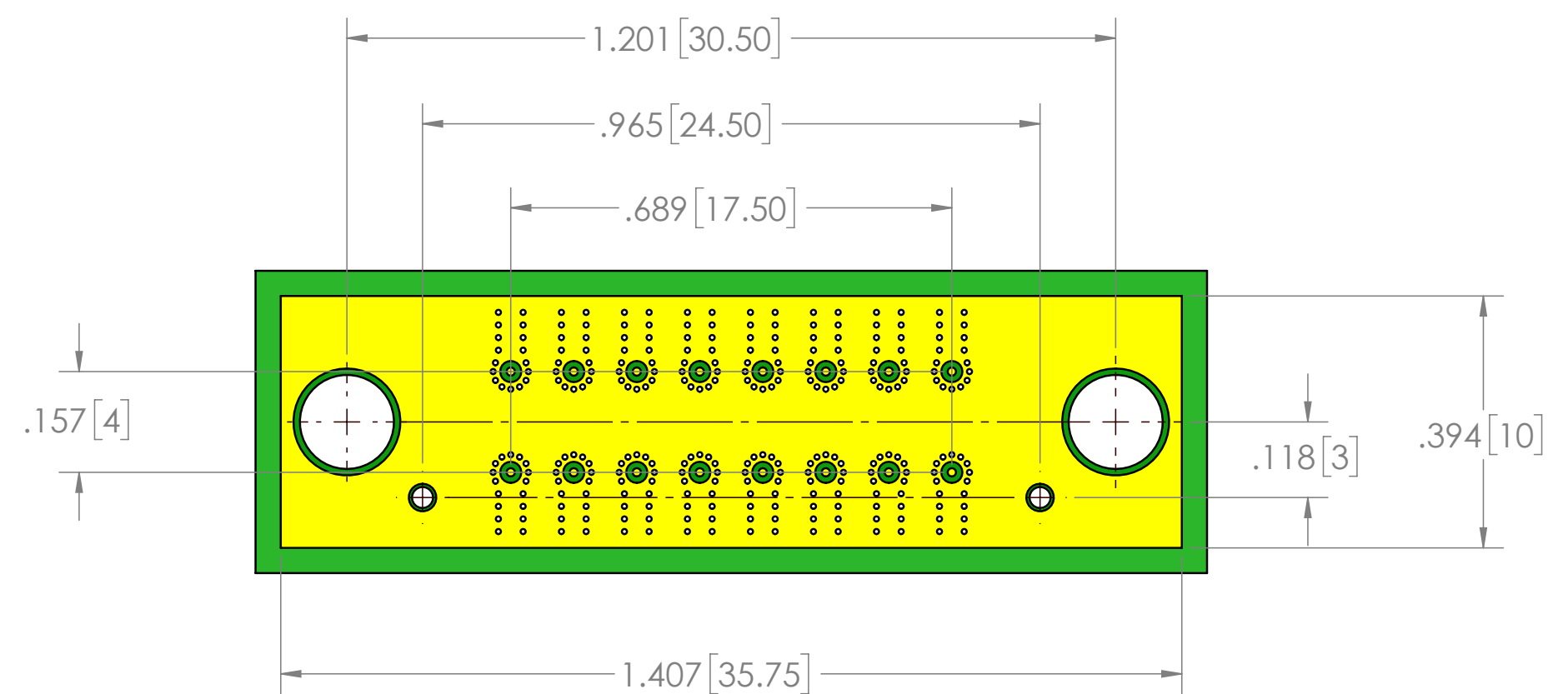
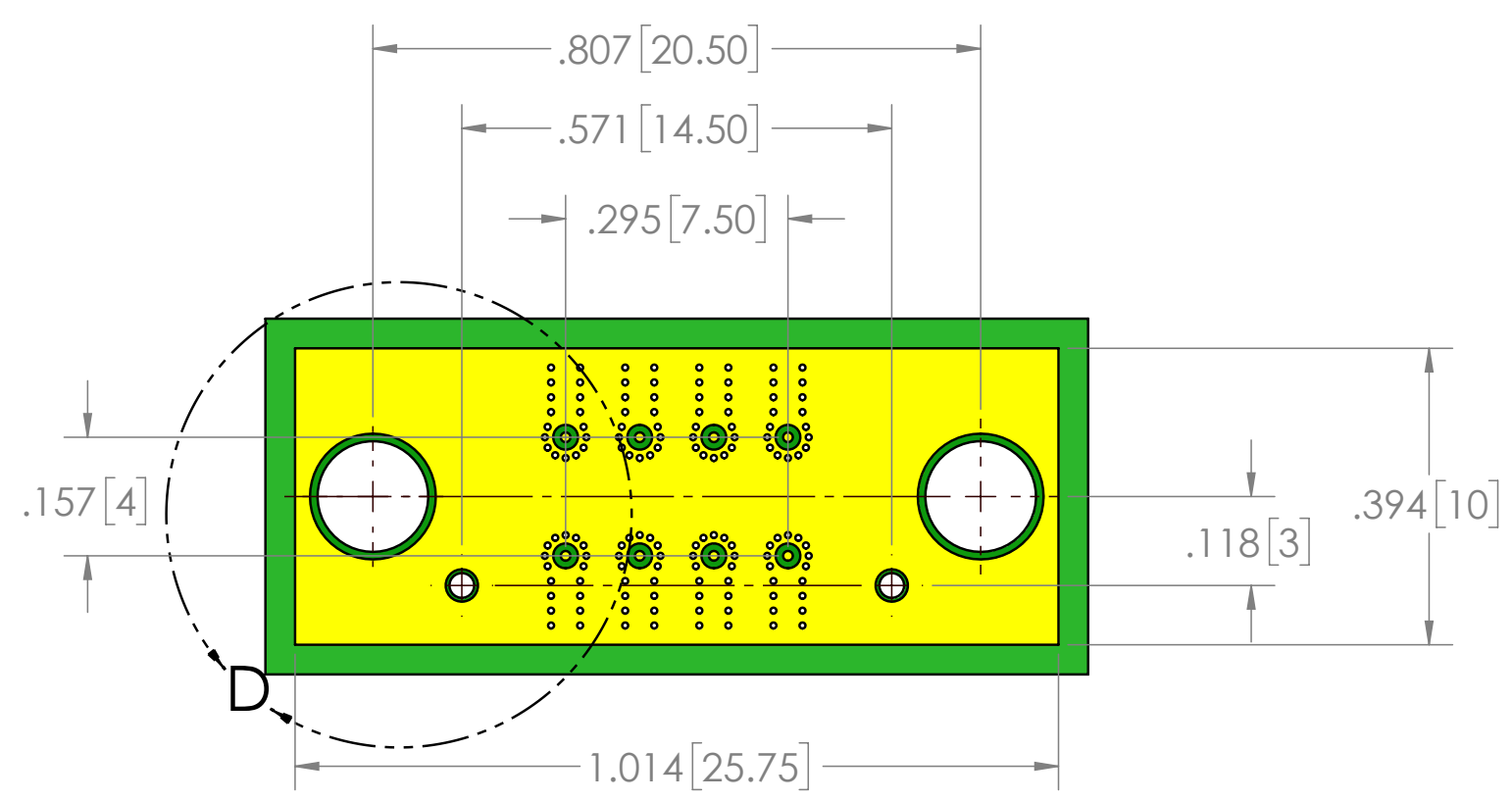
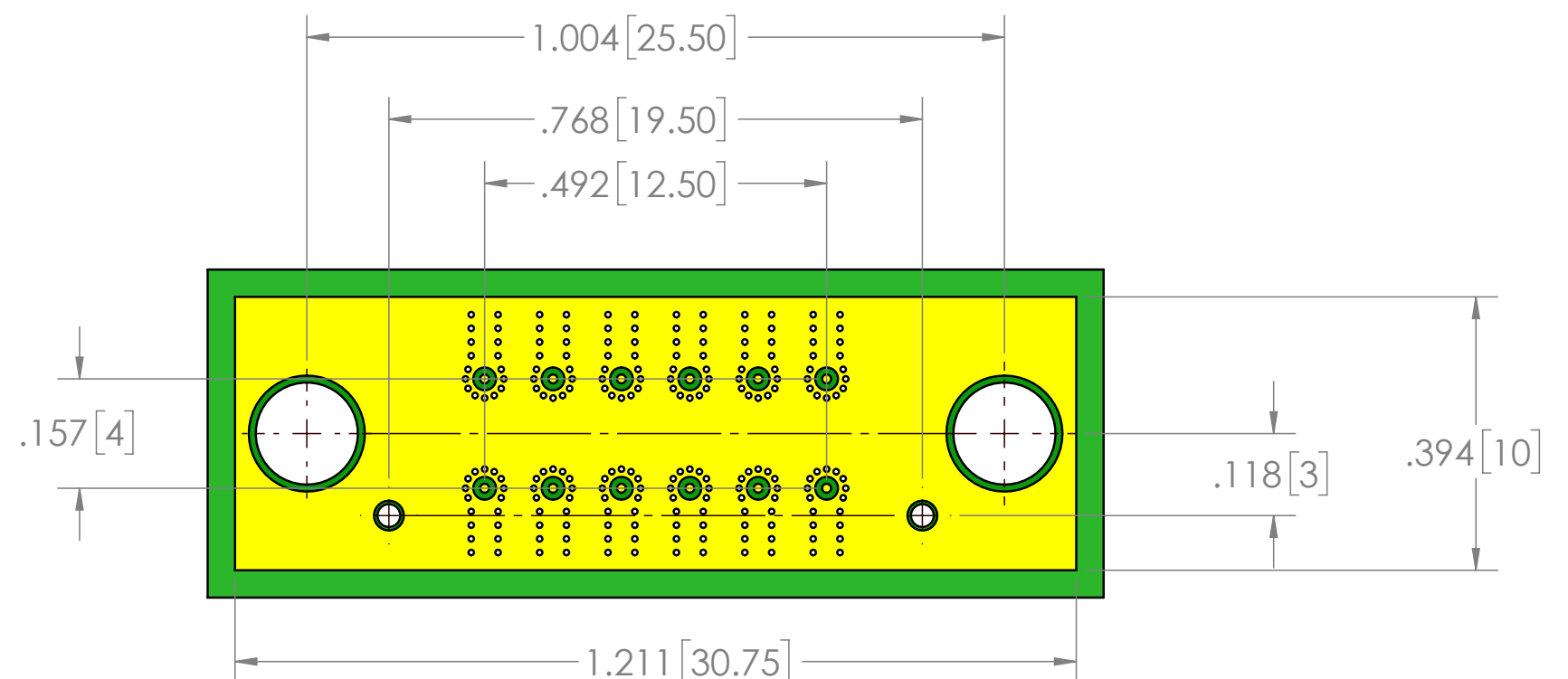
THE INFORMATION CONTAINED HEREIN IS PROPRIETARY TO CARLISLE, INC. AND SHALL IN NO WAY BE REPRODUCED OR DISCLOSED IN WHOLE OR IN PART OR USED FOR ANY DESIGN OR MANUFACTURE EXCEPT WHEN SUCH USER POSSESSES DIRECT, WRITTEN AUTHORIZATION FROM CARLISLE, INC.



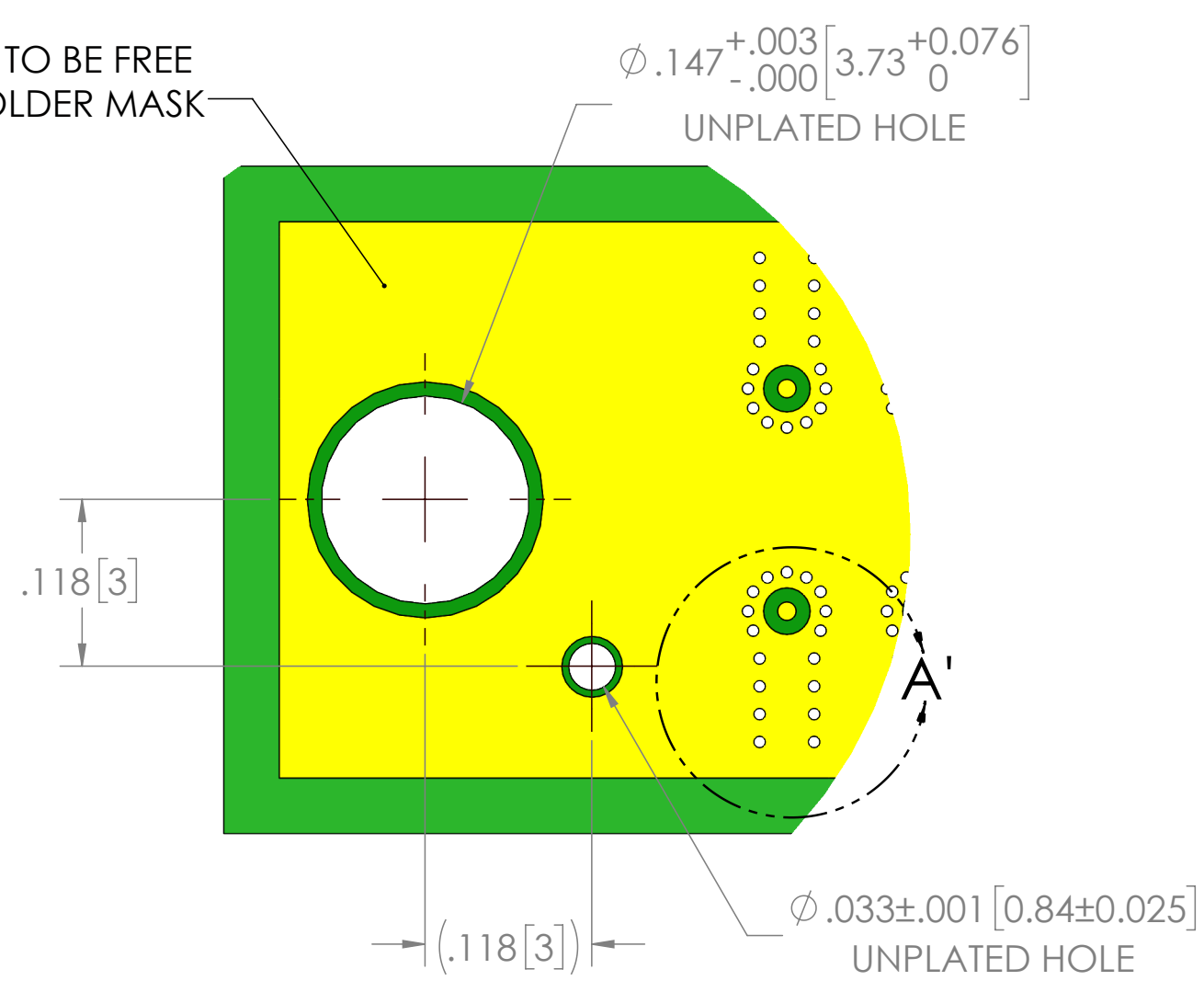
DIMENSIONS ARE IN INCHES/MILLIMETERS ± TOLERANCES UNLESS OTHERWISE NOTED				THIRD ANGLE PROJECTION		 22412 66th Ave S. BLD B, Suite C Kent, WA 98032			
.XXX	.XXXX	ANGLE	FRACTIONS			TITLE: COREHC 2.5 SPACING DUAL ROW PCB , STRIPLINE			
0.003 [0.076]	0.0005 [0.013]	0.5		DESIGN ENGR: R BEDIENT	04/16/2024				
				DESIGNED BY: R BEDIENT	04/16/2024				
				PRODUCT:		SIZE: C	CAGE CODE: 7M294	CARLISLE NUMBER: TM13-0236-XX	REV: 00
				QUALITY:		SCALE: 4:1 DO NOT SCALE DRAWING 1 OF 2			
				MFG:					
NEXT ASSY.				USED ON					
APPLICATION									



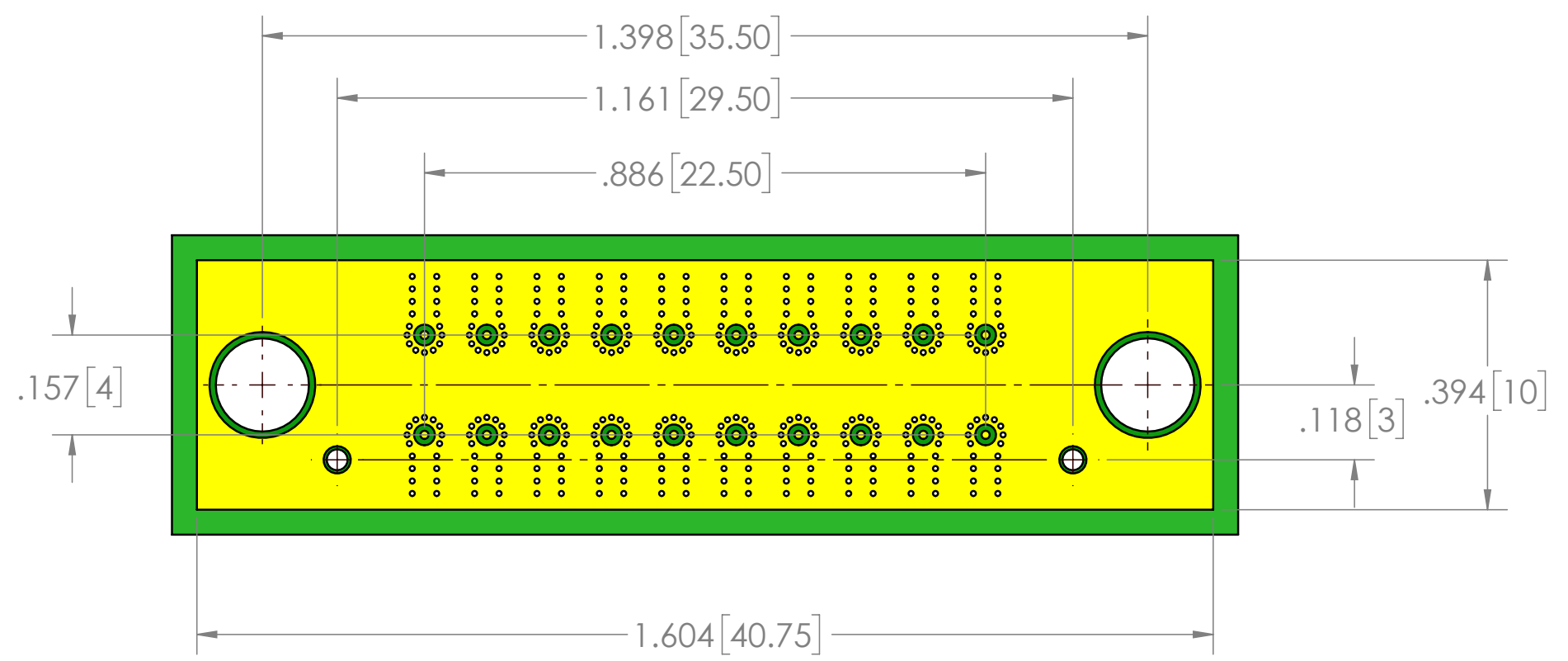
STRIP LINE



AREA TO BE FREE OF SOLDER MASK



DETAIL D
SCALE 8 : 1



COREHC 2.5 SPACING
DUAL ROW PCB, STRIPLINE

SIZE C	CAGE CODE 7M294	DRAWING NUMBER TM13-0236-XX	REV 00
SCALE: 4:1		PART NUMBER: TM13-0236-02	2 OF 2